

LED Filament B2C – G45_ Yellow glass

Authorized Licensee for TOSHIBA trademark



1. Specification:

A. General Data

Model	G45 filament 4.5W E27 Yellow glass
P/N	DELS-FGY44P5Y7AF11
Rated Voltage	230 VAC
Frequency	50 Hz
Rated Wattage	4.5 W
Deviation Tolerance of Wattage	±10 %
Rated Current	0.04 A
Maximum Input Current	0.046 A
Start On	<0.5S
Warm up time	<1S
Dimmable	NO
Beam Angle	270°
Energy Efficiency Class(EEC)®	Not applicable
Peak luminous intensity (cd)	Non-directional
R9 CRI	Not applicable
Survival factor	0.9
Lumen Maintenance factor	93.1%
Safety requirements	CE
Displacement factor (cos φ1)**	No limit
Stroboscopic effect metric (SVM)	0.9

Flicker metric (PstLM)	1
Applicable Environments	Dry locations; Not suitable for totally enclosed fixtures
Incandescent Equivalent	40W
Base	E27
Photobiological Group	RG 1

* Displacement factor tolerance +/- 10%

**No limit at $P_{on} \leq 5W$

⊗ The product is excepted from Commission Delegated Regulation (EU) 2019/2015 on the energy labelling of light sources

B. Light Data

Color	Yellow light
Color Temperature (CCT)	Not applicable
Lumen Output (φ Total °)	Not applicable
Color Rendering Index	Not applicable
Efficacy(φ Total °)	Not applicable
Color Consistency	Not applicable

C. Lifetime

(Supplied Voltage: AC 230V ; Ambient Temperature: 25°C)

Lumen Maintenance Factor	70% of the rated lifetime
Rated Lifetime – $L_{70}B_{50}$	15,000 hrs
Switch cycles	>20,000

D. Temperature Operation

Normal operation temperature	-20°C ~ 40°C
Relative Humidity	10% ~ 90%

E. Geometric Data

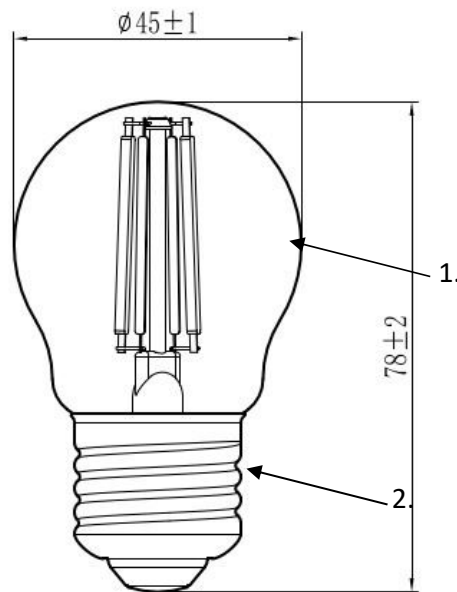
Model	G45 filament 4.5W E27 Yellow glass
Maximum overall length	45 ± 2 mm
Maximum overall width	78 ± 2 mm
Mass	32 g ± 10%

F. Environmental relevant materials

Mercury (Hg)	Comply with RoHS Directive 2011/65/EU
Lead (Pb)	
Cadmium(Cd)	
Hexavalent Chromium(Cr6+)	
Polybrominated Biphenyls(PBBs)	
Polybrominated Diphenyl Ethers(PBDEs)	
Bis (2-ethylhexyl) phthalate(DEHP)	
Butyl benzyl phthalate(BBP)	
Dibutyl phthalate(DBP)	
Diisobutyl phthalate(DIBP)	

2. Outline Drawing

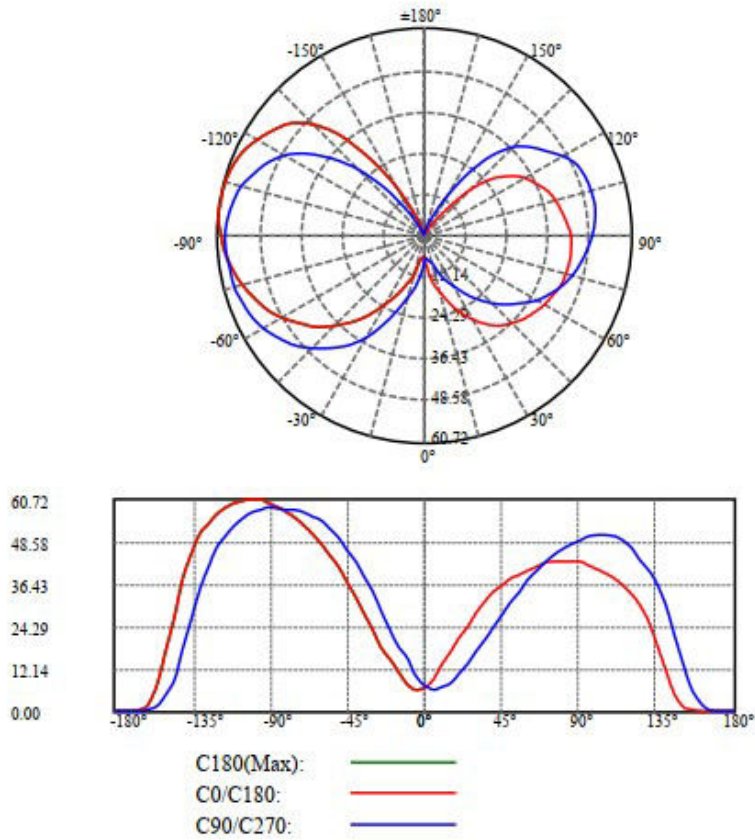
Unit : mm

**Material Information**

1. Globe & Body : Glass
2. Base : Metal

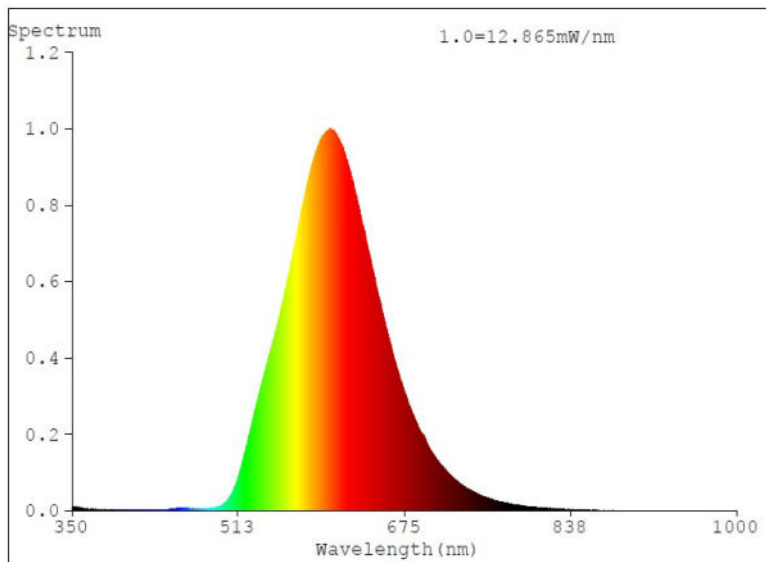
3. Light Distribution Curve

FWHM 270°



4. Spectrum Distribution

- Yellow light



5. Warnings

Before replacing, turn off power and let lamp cool to avoid electrical shock or burn.

6. Cautions

Only to apply in dry and most of open fixtures with lamp-holders that offer sufficient space (10 mm free air space). Not intended for use with emergency light fixtures for exit lights.

7. Notes

All characteristics are estimated at room temperature (25°C), free air burning, base up burning position and at rated voltage. In view of the complex manufacturing process for light above for the technical LED parameters are merely statistical values that do not necessarily correspond to the actual technic individual products may vary from the typical values.

8. Logistic information

Model	G45 filament 4.5W E27 Yellow light
Pieces per pack	1
EAN code on pack	4711112386932
Size of pack	50 * 50 * 95mm
Weight per pack (G.W)	42g
Packs per inner box	N/A
EAN code on inner box	N/A
ITF code on inner box	N/A
Size of inner box	N/A
Weight per inner box(G.W)	N/A
Packs per outer box	100
EAN code on outer box	N/A
ITF code on outer box	1471112386939
Size of outer box	560 * 275 * 220mm
Weight per outer box(G.W)	3.3g

Packing Photograph



9. ERP Label

N/A

10. Conformity

<p>2014/35/EU; Low Voltage Directive</p>	<p>EN 62560:2012 + A11:2019 、 EN 62493:2015 、 EN 62471:2008 IEC TR 62778:2014</p>
<p>2014/30/EU; EMC Directive</p>	<p>EN IEC 55015:2019 + A11:2020 、 EN IEC 61000-3-2:2019 、 EN 61547:2009 EN 61000-3-3:2013 + A1:2019</p>
<p>2009/125/EC; ErP Directive</p>	<p>(EU) 2019/2015 、 (EU) 2019/2020 、 (EU)2021/340 、 (EU)2021/341</p>
<p>2011/65/EU+(EU)2015/863; RoHS Directive</p>	<p>EN 50581: 2012</p>

11. Applicable countries

Albania ,Austria , Belgium , Bulgaria , Croatia , Cyprus , Czech , Denmark , Estonia , Finland , France , Georgia
Germany ,Greece , Iceland , Ireland , Italy , Luxembourg , Malta , Morocco , Netherland , Norway , Portugal
Romania ,Serbia , Spain , Sweden , Switzerland , Tunisia ,U.K

Note : The requirement of each country will be reflected to the product specifications, when the products will be shipped to such country.

12. Manufacturer and Toshiba brand licensee

EPILEDS TECHNOLOGIES, INC.