

# LED Filament B2C – G45\_ Blue glass

Authorized Licensee for TOSHIBA trademark



## 1. Specification:

### A. General Data

<b>Model</b>	G45 filament 4.5W E27 Blue glass
<b>P/N</b>	DELS-FGB44P5B7AF11
<b>Rated Voltage</b>	230 VAC
<b>Frequency</b>	50 Hz
<b>Rated Wattage</b>	4.5 W
<b>Deviation Tolerance of Wattage</b>	±10 %
<b>Rated Current</b>	0.04 A
<b>Maximum Input Current</b>	0.046 A
<b>Start On</b>	<0.5S
<b>Warm up time</b>	<1S
<b>Dimmable</b>	NO
<b>Beam Angle</b>	270°
<b>Energy Efficiency Class(EEC)<sup>®</sup></b>	Not applicable
<b>Peak luminous intensity (cd)</b>	Non-directional
<b>R9 CRI</b>	Not applicable
<b>Survival factor</b>	0.9
<b>Lumen Maintenance factor</b>	93.1%
<b>Safety requirements</b>	CE
<b>Displacement factor (cos <math>\phi</math>1)**</b>	No limit
<b>Stroboscopic effect metric (SVM)</b>	0.9

<b>Flicker metric (PstLM)</b>	1
<b>Applicable Environments</b>	Dry locations; Not suitable for totally enclosed fixtures
<b>Incandescent Equivalent</b>	40W
<b>Base</b>	E27
<b>Photobiological Group</b>	RG 1

\* Displacement factor tolerance +/- 10%

\*\*No limit at  $P_{on} \leq 5W$

⊗ The product is excepted from Commission Delegated Regulation (EU) 2019/2015 on the energy labelling of light sources

### B. Light Data

<b>Color</b>	Blue light
<b>Color Temperature (CCT)</b>	Not applicable
<b>Lumen Output (<math>\varphi</math> Total °)</b>	Not applicable
<b>Color Rendering Index</b>	Not applicable
<b>Efficacy(<math>\varphi</math> Total °)</b>	Not applicable
<b>Color Consistency</b>	Not applicable

### C. Lifetime

(Supplied Voltage: AC 230V ; Ambient Temperature: 25°C)

<b>Lumen Maintenance Factor</b>	70% of the rated lifetime
<b>Rated Lifetime – <math>L_{70}B_{50}</math></b>	15,000 hrs
<b>Switch cycles</b>	>20,000

### D. Temperature Operation

<b>Normal operation temperature</b>	-20°C ~ 40°C
<b>Relative Humidity</b>	10% ~ 90%

### E. Geometric Data

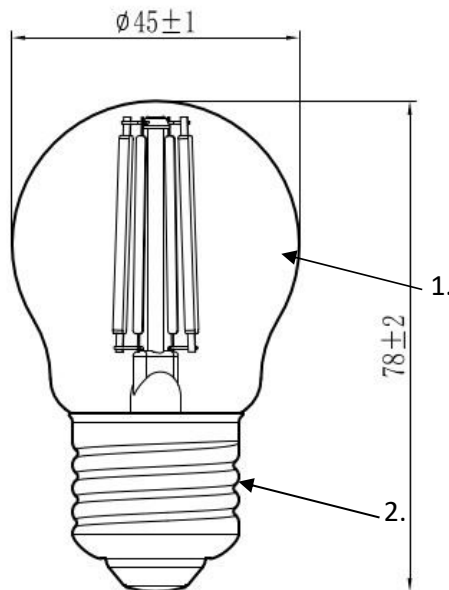
<b>Model</b>	G45 filament 4.5W E27 Blue glass
<b>Maximum overall length</b>	45 ± 2 mm
<b>Maximum overall width</b>	78 ± 2 mm
<b>Mass</b>	32 g ± 10%

**F. Environmental relevant materials**

<b>Mercury (Hg)</b>	Comply with RoHS Directive 2011/65/EU
<b>Lead (Pb)</b>	
<b>Cadmium(Cd)</b>	
<b>Hexavalent Chromium(Cr6+)</b>	
<b>Polybrominated Biphenyls(PBBs)</b>	
<b>Polybrominated Diphenyl Ethers(PBDEs)</b>	
<b>Bis (2-ethylhexyl) phthalate(DEHP)</b>	
<b>Butyl benzyl phthalate(BBP)</b>	
<b>Dibutyl phthalate(DBP)</b>	
<b>Diisobutyl phthalate(DIBP)</b>	

**2. Outline Drawing**

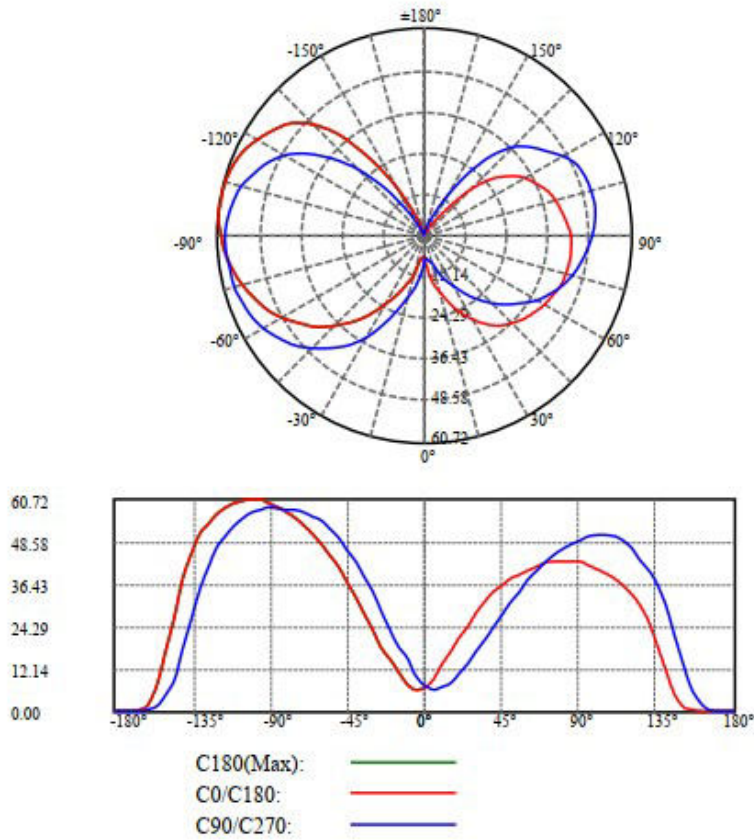
Unit : mm

**Material Information**

1. Globe & Body : Glass
2. Base : Metal

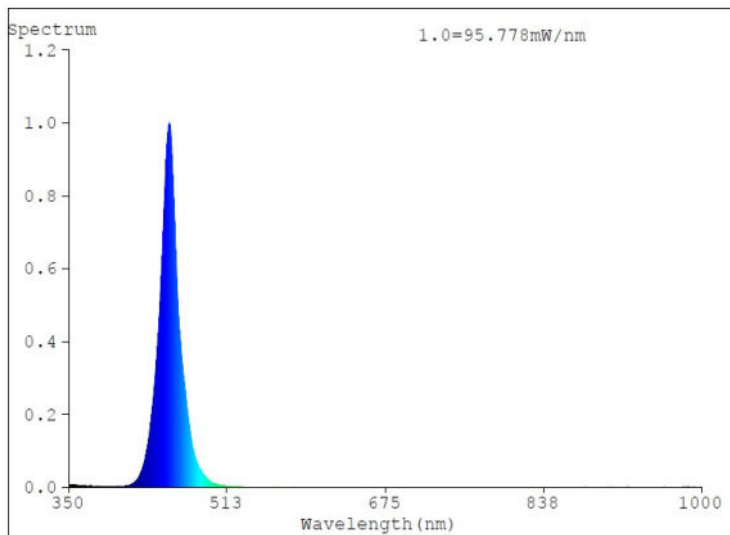
### 3. Light Distribution Curve

FWHM 270°



### 4. Spectrum Distribution

- Blue light



## 5. Warnings

Before replacing, turn off power and let lamp cool to avoid electrical shock or burn.

## 6. Cautions

Only to apply in dry and most of open fixtures with lamp-holders that offer sufficient space (10 mm free air space). Not intended for use with emergency light fixtures for exit lights.

## 7. Notes

All characteristics are estimated at room temperature (25°C), free air burning, base up burning position and at rated voltage. In view of the complex manufacturing process for light above for the technical LED parameters are merely statistical values that do not necessarily correspond to the actual technic individual products may vary from the typical values.

## 8. Logistic information

<b>Model</b>	G45 filament 4.5W E27 Blue light
<b>Pieces per pack</b>	1
<b>EAN code on pack</b>	4711112386918
<b>Size of pack</b>	50 * 50 * 95mm
<b>Weight per pack (G.W)</b>	42g
<b>Packs per inner box</b>	N/A
<b>EAN code on inner box</b>	N/A
<b>ITF code on inner box</b>	N/A
<b>Size of inner box</b>	N/A
<b>Weight per inner box(G.W)</b>	N/A
<b>Packs per outer box</b>	100
<b>EAN code on outer box</b>	N/A
<b>ITF code on outer box</b>	1471112386915
<b>Size of outer box</b>	560 * 275 * 220mm
<b>Weight per outer box(G.W)</b>	3.3g

**Packing Photograph**



**9. ERP Label**

N/A

**10. Conformity**

<p><b>2014/35/EU; Low Voltage Directive</b></p>	<p>EN 62560:2012 + A11:2019、EN 62493:2015、EN 62471:2008 IEC TR 62778:2014</p>
<p><b>2014/30/EU; EMC Directive</b></p>	<p>EN IEC 55015:2019 + A11:2020、EN IEC 61000-3-2:2019、EN 61547:2009 EN 61000-3-3:2013 + A1:2019</p>
<p><b>2009/125/EC; ErP Directive</b></p>	<p>(EU) 2019/2015、(EU) 2019/2020、(EU)2021/340、(EU)2021/341</p>
<p><b>2011/65/EU+(EU)2015/863; RoHS Directive</b></p>	<p>EN 50581: 2012</p>

**11. Applicable countries**

Albania ,Austria , Belgium , Bulgaria , Croatia , Cyprus , Czech , Denmark , Estonia , Finland , France , Georgia  
Germany ,Greece , Iceland , Ireland , Italy , Luxembourg , Malta , Morocco , Netherland , Norway , Portugal  
Romania ,Serbia , Spain , Sweden , Switzerland , Tunisia ,U.K

Note : The requirement of each country will be reflected to the product specifications, when the products will be shipped to such country.

**12. Manufacturer and Toshiba brand licensee**

EPILEDS TECHNOLOGIES, INC.