

LED Down Light 3CCT – D100_4inch 8W

Authorized Licensee for TOSHIBA trademark



1. Specification:

A. General Data

Model	3CCT D100_4inch 8W
P/N	DELS-DLD400841S041
Rated Voltage	230 VAC
Frequency	50 Hz
Rated Wattage	8 W
Deviation Tolerance of Wattage	±10 %
Rated Current	0.065 A
Maximum Input Current	0.075 A
Dimmable	Non-Dim
Beam Angle	110°
Energy Efficiency Class(EEC)	F
Peak luminous intensity (cd)	Non-directional
R9 CRI	1
Survival factor	0.9
Safety requirements	CE
Displacement factor (cos φ1)**	≥ 0.7
Stroboscopic effect metric (SVM)	≤ 0.9

Flicker metric (PstLM)	≤ 1
Applicable Environments	Dry locations; Not suitable for totally enclosed fixtures
Photobiological Group	RG 1

* Displacement factor tolerance +/- 10%

B. Light Data

Color	Warm White	Neutral Withe	Cool White
Color Temperature (CCT)	3000K	4000K	6500K
Lumen Output* (φ Total °)	750 lm		
Color Rendering Index*	≥ 80		
Efficacy(φ Total °)	93.75 lm/W		
Color Consistency**	6 Step MacAdam Ellipse (6 SDCM)		

* tolerance +/- 10%

** 3000K center point (0.43387, 0.40319) ; 4000K center point (0.38177, 0.37959) ; 6500K center point (0.31230, 0.32825)

C. Lifetime

(Supplied Voltage: AC 230V ; Ambient Temperature: 25°C)

Lumen Maintenance Factor	70% of the rated lifetime
Rated Lifetime – L_{70B50}	15,000 hrs
Lumen Maintenance factor	93.1%

D. Temperature Operation

Normal operation temperature	-20°C ~ 40°C
Relative Humidity	10% ~ 90%

E. Geometric Data

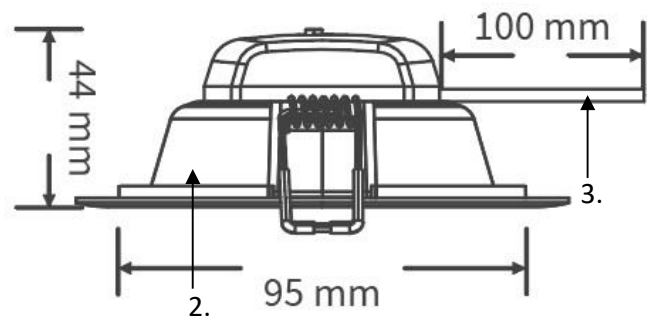
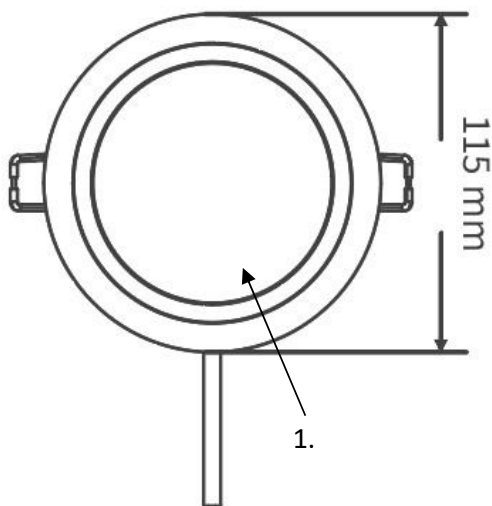
Model	LED Down Light 3CCT D100_4inch 8W
Maximum overall width	115 ± 2 mm
Maximum overall height	44 ± 2 mm
Minimum cut out	95 mm
Mass	80g ± 10%

F. Environmental relevant materials

Mercury (Hg)	Comply with RoHS Directive 2011/65/EU
Lead (Pb)	
Cadmium(Cd)	
Hexavalent Chromium(Cr6+)	
Polybrominated Biphenyls(PBBs)	
Polybrominated Diphenyl Ethers(PBDEs)	
Bis (2-ethylhexyl) phthalate(DEHP)	
Butyl benzyl phthalate(BBP)	
Dibutyl phthalate(DBP)	
Diisobutyl phthalate(DIBP)	

2. Outline Drawing

Unit : mm

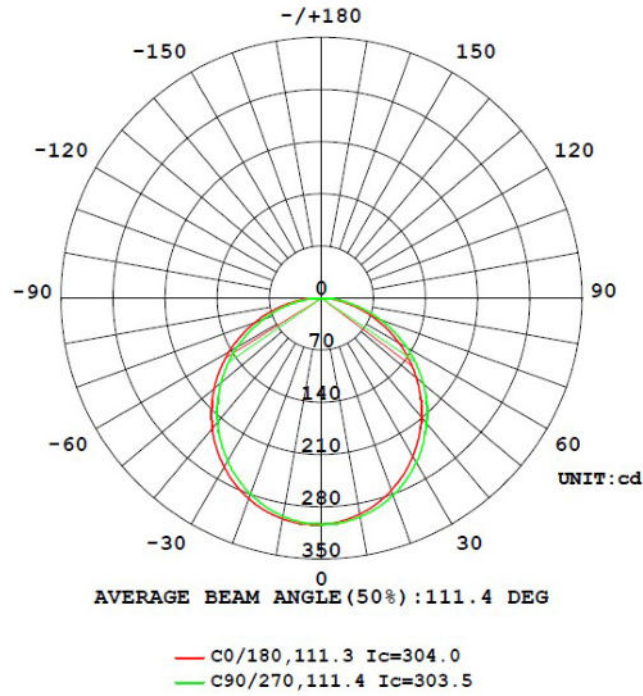


Material Information

- 1. Cover : PC
- 2. Plastics enclosed : PPS
- 3. AC Wire : H03VVH2-F

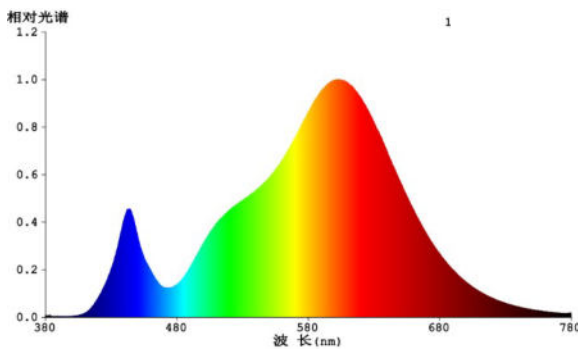
3. Light Distribution Curve

FWHM 110°

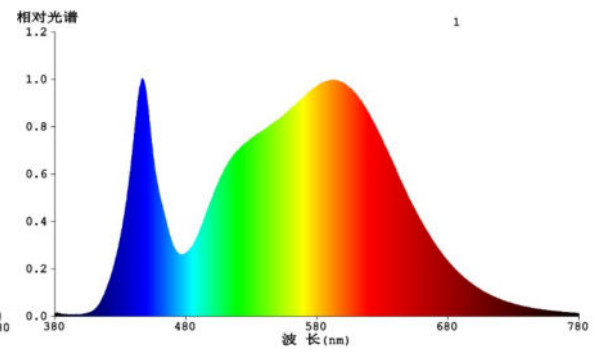


4. Spectrum Distribution

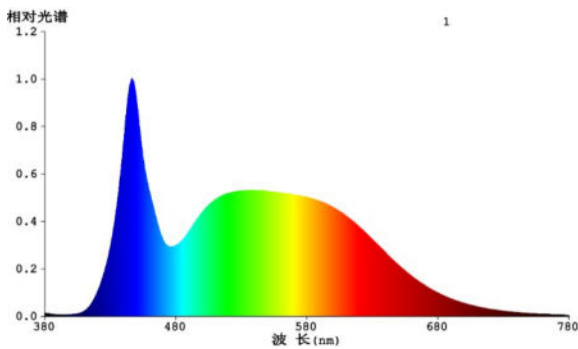
3000K Color Temperature



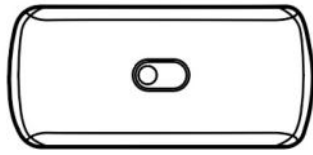
4000K Color Temperature



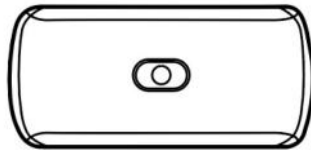
6500K Color Temperature



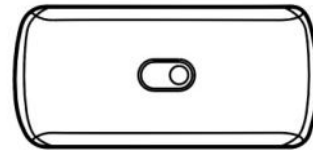
5. 3-CCT Selectable



Select 3000K



Select 4000K



Select 6500K

6. Warnings

Before replacing, turn off power and let lamp cool to avoid electrical shock or burn.

7. Cautions

- Not intended for use with emergency light fixtures for exit lights.
- Electrical work and repairs must be performed by qualified electrician.
- During installation, always observe the national installation regulations.
- The luminaire must not be modified in any way. Risk of electric shock and accident.
- The light source contained in this luminaire shall only be replaced by the manufacturer or his service agent or a similar qualified person.
- If the external flexible cable or cord of this luminaire is damaged, it shall be exclusively replaced by the manufacturer or his service agent or a similar qualified person in order to avoid a hazard.
- Do not use outdoors.

8. Notes

All characteristics are estimated at room temperature (25°C), free air burning, base up burning position and at rated voltage. In view of the complex manufacturing process for light above for the technical LED parameters are merely statistical values that do not necessarily correspond to the actual technic individual products may vary from the typical values.

9. Logistic information

Model	LED Down Light 3CCT D100_4inch 8W
Pieces per pack	1
EAN code on pack	4711112386239
Size of pack	117*55*117 mm
Weight per pack (G.W)	90g
Packs per inner box	N/A
EAN code on inner box	N/A
ITF code on inner box	N/A
Size of inner box	N/A
Weight per inner box(G.W)	N/A
Packs per outer box	50
EAN code on outer box	N/A
ITF code on outer box	14711112386236
Size of outer box	600*295*245 mm
Weight per outer box(G.W)	5.8kg

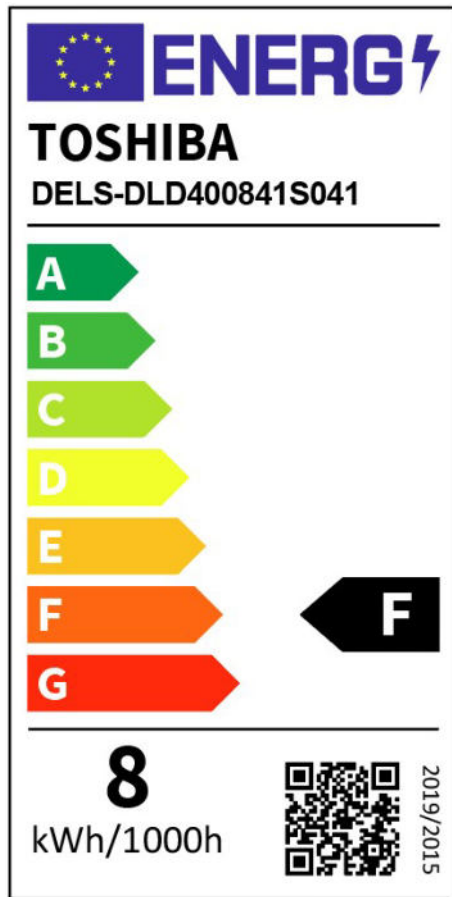
LED Down Light 3CCT D100_4inch 8W



Packing Photograph



10. ERP Label



11. Conformity

<p>2014/35/EU; Low Voltage Directive</p>	<p>EN 60598-1:2015 + A1 :2018 、 EN 60598-2-2:2012 、 EN62493:2015 、 IEC TR 62778 : 2014</p>
<p>2014/30/EU; EMC Directive</p>	<p>EN IEC 55015:2019 + A11:2020 、 EN IEC 61000-3-2 : 2019 、 EN 61547:2009 、 EN 61000-3-3:2013 + A1:2019</p>
<p>2009/125/EC; ErP Directive</p>	<p>(EU) 2019/2015 、 (EU) 2019/2020 、 (EU)2021/340 、 (EU)2021/341</p>
<p>2011/65/EU+(EU)2015/863; RoHS Directive</p>	<p>EN 50581: 2012</p>

12. Applicable countries

Albania ,Austria , Belgium , Bulgaria , Croatia , Cyprus , Czech , Denmark , Estonia , Finland , France , Georgia
Germany ,Greece , Iceland , Ireland , Italy , Luxembourg , Malta , Morocco , Netherland , Norway , Portugal
Romania ,Serbia , Spain , Sweden , Switzerland , Tunisia ,U.K

Note : The requirement of each country will be reflected to the product specifications, when the products will be shipped to such country.

13. Manufacturer and Toshiba brand licensee

EPILEDs TECHNOLOGIES, INC.