

# 5ft 60W Weather proof

Authorized Licensee for TOSHIBA trademark



## 1. Specification:

### A. General Data

<b>Model</b>	5ft 60W Neutral White	5ft 60W Daylight
<b>P/N</b>	DELL-WP44060A5F032	DELL-WP54060A5F032
<b>Rated Voltage</b>	230 VAC	230 VAC
<b>Frequency</b>	50 Hz	50 Hz
<b>Rated Wattage</b>	60 W	60 W
<b>Deviation Tolerance of Rated Wattage</b>	±10 %	±10 %
<b>Displacement factor (cos φ1)*</b>	0.9	0.9
<b>Rated Current</b>	0.27A	0.27A
<b>Maximum Input Current</b>	0.31A	0.31A
<b>Start On</b>	≤ 0.5	≤ 0.5
<b>Warm up time</b>	<1S	<1S
<b>Dimmable</b>	NO	NO
<b>Beam Angle</b>	130°	130°
<b>Peak luminous intensity (cd)</b>	No Claimed	No Claimed
<b>R9 CRI</b>	>1	>1
<b>Survival factor</b>	90%	90%
<b>Safety requirements</b>	CE	CE
<b>Stroboscopic effect metric (SVM)**</b>	≤ 0.4	≤ 0.4
<b>Flicker metric (PstLM)**</b>	≤ 1	≤ 1
<b>Energy Efficiency Class(EEC)</b>	E	E
<b>Applicable Environments</b>	IP65	IP65

<b>Exchangeable LED Module</b>	NO	NO
<b>Photobiological Group</b>	RG0	RG0
<b>Safety class</b>	II	II
<b>Linkable connection</b>	13	13
<b>Type of Installation</b>	Ceiling	Ceiling

## B. Light Data

<b>Color</b>	Neutral White	Daylight
<b>Color Temperature (CCT)</b>	4000K	5000K
<b>Total Lumen Output*</b>	<b>6900 lm</b>	<b>6900 lm</b>
<b>Color Rendering Index*</b>	80	
<b>Efficacy ( Total )*</b>	115 lm/W	
<b>Color Consistency**</b>	6 Step MacAdam Ellipse (6 SDCM)	

\*tolerance +/- 10%

\*\* 4000K center point (0.38177, 0.37959) ; 5000K center point (0.34464, 0.35506)

## C. Lifetime

(Supplied Voltage: AC230V; Ambient Temperature: 25°C)

<b>Lumen Maintenance Factor</b>	70% of the rated lifetime
<b>Rated Lifetime – L<sub>70</sub>B<sub>50</sub> at 25°C</b>	50,000 hrs
<b>Lumen Maintenance factor</b>	96%

## D. Temperature Operation

<b>Normal operation temperature</b>	-20°C ~ 40°C
<b>Relative Humidity</b>	10% ~ 90%

**E. Geometric Data**

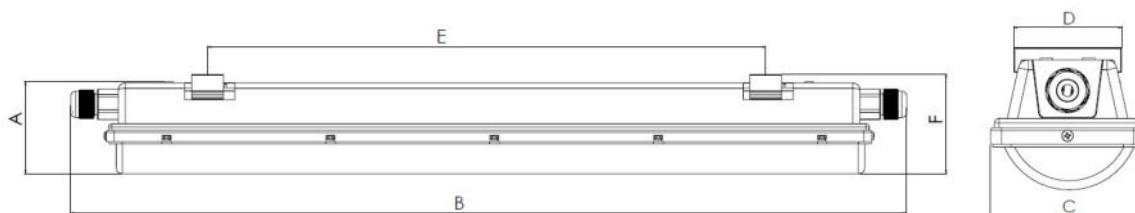
<b>length</b>	1570 ± 10 mm
<b>width</b>	85 ± 5 mm
<b>thickness</b>	70 ± 5 mm
<b>Mass</b>	1.7 kg

**F. Environmental relevant materials**

<b>Mercury (Hg)</b>	Comply with RoHS Directive 2011/65/EU
<b>Lead (Pb)</b>	
<b>Cadmium(Cd)</b>	
<b>Hexavalent Chromium(Cr6+)</b>	
<b>Polybrominated Biphenyls(PBBs)</b>	
<b>Polybrominated Diphenyl Ethers(PBDEs)</b>	
<b>Bis (2-ethylhexyl) phthalate(DEHP)</b>	
<b>Butyl benzyl phthalate(BBP)</b>	
<b>Dibutyl phthalate(DBP)</b>	
<b>Diisobutyl phthalate(DIBP)</b>	

**2. Outline Drawing**

Unit : mm




Size	Distance(mm)
A	70
B	1570
C	85
D	46.5
E	905
F	77

**Material Information**



- 1. Cover: Plastic
- 2. Base: Plastic
- 3. Clips: Stainless

**3. Installation Instructions**

Mounting Instruction

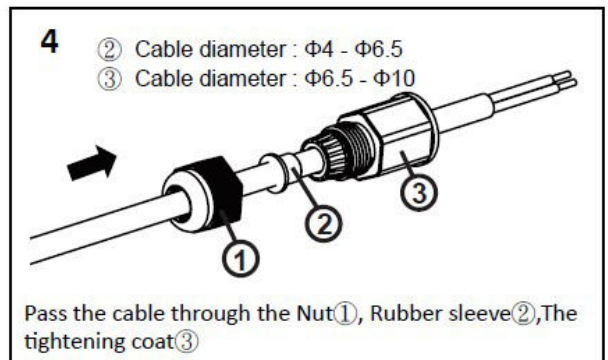
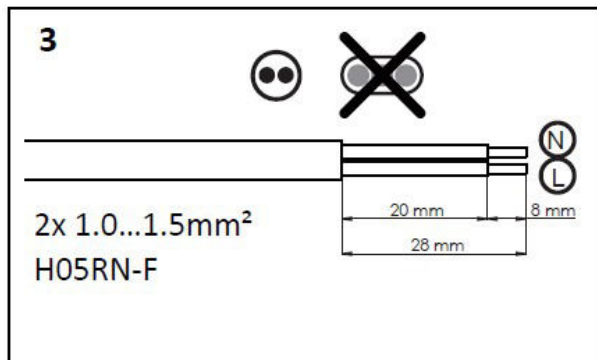
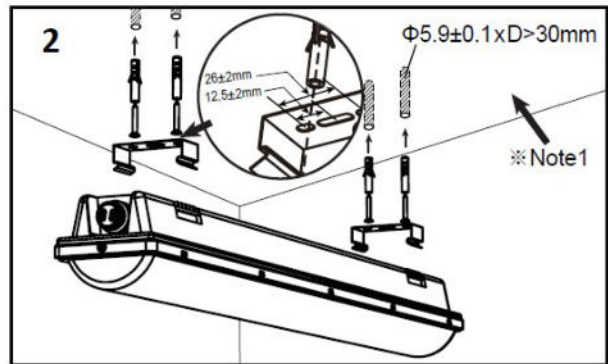
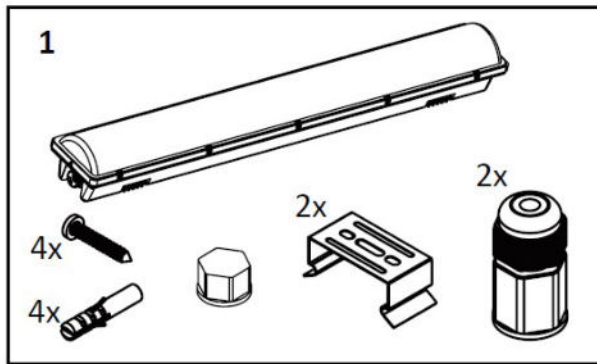
 **Warnings:**

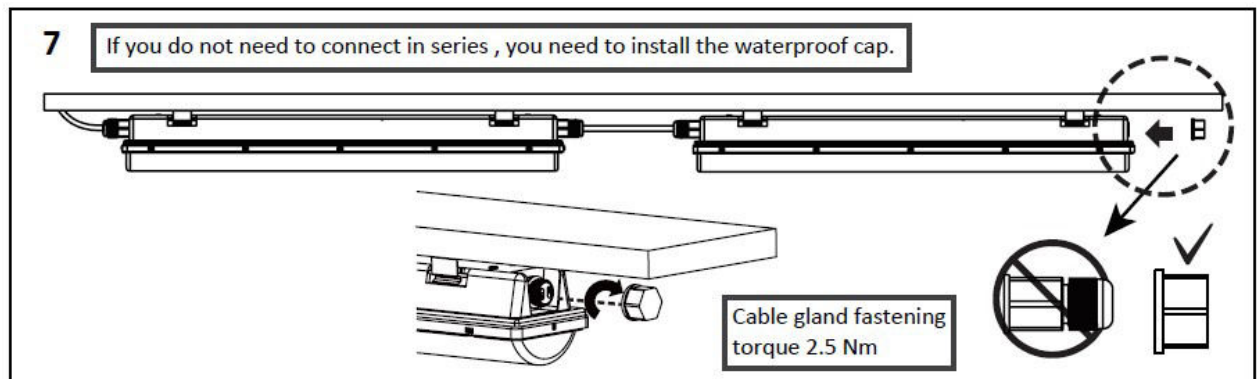
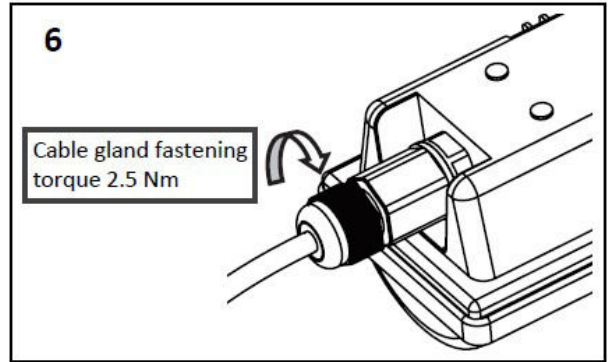
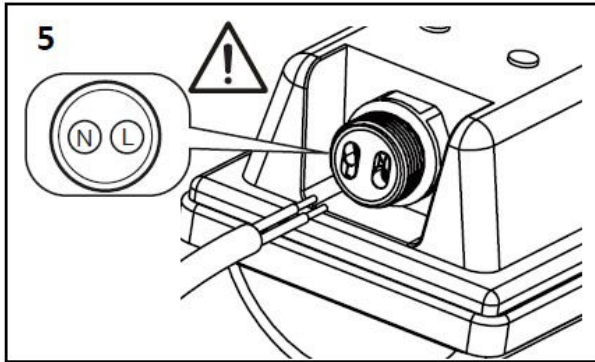
1. Turn off the main power at the circuit breaker before installing the fixture in order to prevent possible electric shock.
2. Do not touch electronic components!  
Electronic components maybe under high voltage.
3. The light source contained in this luminaire shall only be replaced by the manufacturer or his service agent or a similar qualified electrician.
4. Do not stare into LED light beam.
5. The luminaire shall be installed by a qualified electrician and wired in accordance with the latest IEE electrical regulations or the national requirements.
6. Suitability for use indoor including in related ambient temperature or Outdoor-temporary use( $t_a=40^{\circ}\text{C MAX}$ ).
7. Do not use in an atmosphere where the fixtures are exposed to gasses of Sulfur or Chloride components. Otherwise, it may cause to pollute their LEDs and not to light.
8. Do not use in an atmosphere where Chemicals adhere to the fixtures. Otherwise, it may cause to accelerate some degradations of its Plastic body and to fall down.
9. This fixture is only for Downward Lighting

ATTENTION  
OBSERVE PRECAUTIONS  
FOR HANDLING  
ELECTROSTATIC  
SENSITIVE  
DEVICES

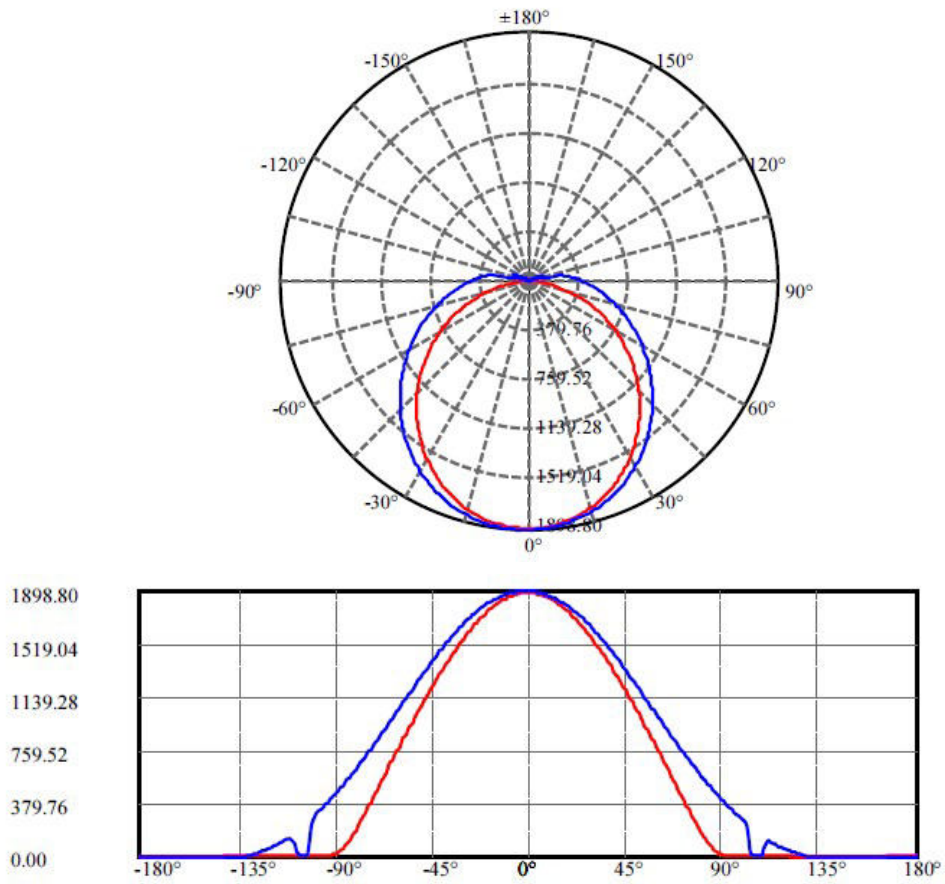
Caution, risk of electric shock





※Note1: For use in brick, concrete, natural stone, solid wall , hard solid object, etc. Application on most building materials.

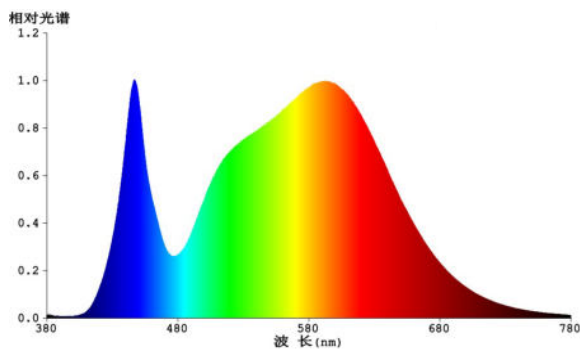
**4. Light Distribution Curve**



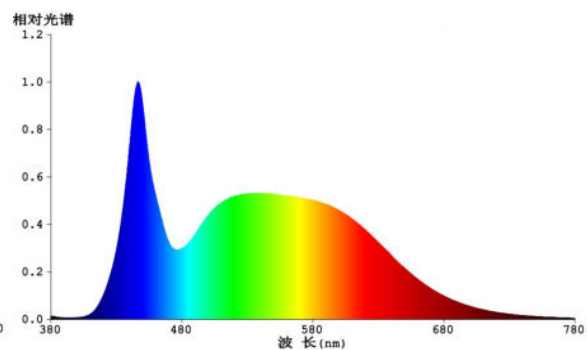
C0/C180: —  
 C90/C270: —  
 Field angle(10%Imax):C0/180Left:80.2 Right:79.3  
                                   :C90/270Left:100.5 Right:101.3  
 Beam Angle(50%Imax):C0/180Left:54.5 Right:53.8  
                                   :C90/270Left:65.0 Right:62.2

**5. Spectrum Distribution**

Neutral White



Daylight



**6. Warnings**

- Before replacing, turn off power and let lamp cool to avoid electrical shock or burn.
- Do not touch electronic components, electronic components maybe under high voltage.
- Do not stare into LED light beam
- The luminaire shall be installed by a qualified electrician and wired in accordance with the latest IEE electrical regulations or the national requirements.

**7. Notes**

All characteristics are estimated at room temperature (25°C), free air burning, base up burning position and at rated voltage. In view of the complex manufacturing process for light above for the technical LED parameters are merely statistical values that do not necessarily correspond to the actual technic individual products may vary from the typical values.

**8. Logistic information**

<b>Model</b>	5ft 60W -Linkable Neutral White	5ft 60W -Linkable Daylight
<b>P/N</b>	DELL-WP44060A5F032	DELL-WP54060A5F032
<b>Pieces per pack</b>	1	1
<b>EAN code on pack</b>	4711112386338	4711112386345
<b>Size of pack</b>	1545*90*79 mm	
<b>Weight per pack (G.W)</b>	2.3 kg	
<b>Packs per inner box</b>	N/A	N/A
<b>EAN code on inner box</b>	N/A	N/A
<b>ITF code on inner box</b>	N/A	N/A
<b>Size of inner box</b>	N/A	N/A
<b>Weight per inner box(G.W)</b>	N/A	N/A
<b>Packs per outer box</b>	6	6
<b>EAN code on outer box</b>	N/A	N/A
<b>ITF code on outer box</b>	14711112386335	14711112386342
<b>Size of outer box</b>	1560*175*290mm	
<b>Weight per outer box(G.W)</b>	15 kg	

DELL-WP44060A5F032(4000K)



**Package box**

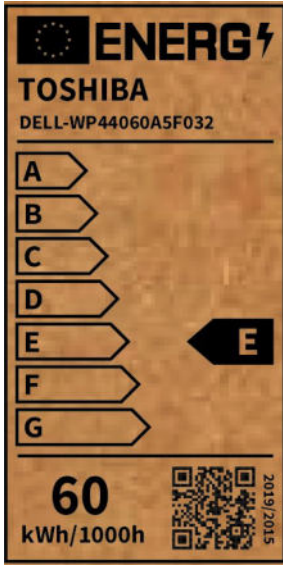
DELL-WP54060A5F032(5000K)



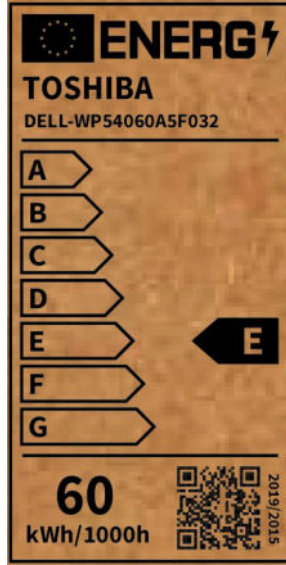


**9. ERP Label**

**4000K**



**5000K**



**10. Conformity**

<p><b>2014/35/EU; Low Voltage Directive</b></p>	<p>EN IEC 60598-2-1:2021 used in conjunction with EN IEC 60598-1:2021 EN IEC 62031:2020 、 EN 62493:2015</p>
<p><b>2014/30/EU; EMC Directive</b></p>	<p>EN IEC 55015:2019+A11:2020 、 EN 61547:2009 、 EN IEC 61000-3-2:2019+A1:2021 、 EN 61000-3-3:2013+A1:2019</p>
<p><b>2009/125/EC; ErP Directive</b></p>	<p>(EU) 2019/2015 、 (EU) 2019/2020 、 (EU) 2021/340 、 (EU) 2021/341</p>
<p><b>2011/65/EU+(EU)2015/863; RoHS Directive</b></p>	<p>EN 50581: 2012</p>

**11. Applicable countries**

Albania ,Austria , Belgium , Bulgaria , Croatia , Cyprus , Czech , Denmark , Estonia , Finland , France , Georgia, Germany ,Greece , Iceland , Ireland , Italy , Luxembourg , Malta , Morocco , Netherland , Norway , Portugal, Romania ,Serbia , Spain , Sweden , Switzerland , Tunisia ,U.K

Note : The requirement of each country will be reflected to the product specifications, when the products will be shipped to such country.

**12. Manufacturer and Toshiba brand licensee**

EPILEDs TECHNOLOGIES, INC.

Representative: Westnet Distribution S.A.