

# HE HIGH BAY IP65– 200W

Authorized Licensee for TOSHIBA trademark



## 1. Specification:

### A. General Data

<b>Model</b>	HE High Bay 200W	
<b>P/N</b>	DELL-HB44200A1D032	DELL-HB54200A1D032
<b>Rated Voltage</b>	100-240 VAC	100-240 VAC
<b>Frequency</b>	50 Hz	50 Hz
<b>Rated Wattage</b>	200 W	200 W
<b>Deviation Tolerance of Wattage</b>	±10 %	±10 %
<b>Displacement factor (cos φ1)*</b>	0.9(typical)	0.9(typical)
<b>Rated Current</b>	1.67~0.167A	1.67~0.167A
<b>Maximum Input Current</b>	2A	2A
<b>Start On</b>	<0.5S	<0.5S
<b>Warm up time</b>	<1S	<1S
<b>Dimmable</b>	1-10V	1-10V
<b>Beam Angle</b>	120°	120°
<b>Peak luminous intensity (cd)</b>	12,500	12,500
<b>R9 CRI**</b>	-35~-20	-35~-20
<b>Survival factor</b>	90%	90%
<b>Safety requirements</b>	CE	CE
<b>Lumen Maintenance factor</b>	96%	96%

<b>Stroboscopic effect metric (SVM)**</b>	No Claimed	No Claimed
<b>Flicker metric (PstLM)**</b>	$\leq 1,0$	$\leq 1,0$
<b>Energy Efficiency Class(EEC)</b>	B	B
<b>Applicable Environments</b>	IP65	IP65
<b>Exchangeable LED Module</b>	NO	NO
<b>Photobiological Group</b>	RG 1	RG 1
<b>Safety class</b>	Class I	Class I

\* Displacement factor tolerance +/- 10%

\*\*In accordance with (EU)2021/341 of SVM  $\leq 0,9$  at full-load (except for HID with  $\Phi_{use} > 4$  klm and for light sources intended for use in outdoor applications, industrial applications or other applications where lighting standards allow a CRI < 80) ◦ From 1 September 2024: SVM  $\leq 0,4$  at full-load (except for light sources intended for use in outdoor applications, industrial applications or other applications where lighting standards allow a CRI < 80) ◦

## B. Light Data

<b>Color</b>	Natural White	Daylight
<b>Color Temperature (CCT)</b>	4000K	5000K
<b>Useful luminous flux*</b>	34,000 lm	
<b>Total luminous flux*</b>	40,000 lm	
<b>Color Rendering Index*</b>	70	
<b>Efficacy ( Useful )*</b>	170 lm/W	170 lm/W
<b>Efficacy ( Total )*</b>	200 lm/W	200 lm/W
<b>Color Consistency**</b>	6 Step MacAdam Ellipse (6 SDCM)	

\* tolerance +/- 10%

\*\* 4000K center point (0.38177, 0.37959) ; 5000K center point (0.34464, 0.35506)

## C. Lifetime

(Supplied Voltage: AC 230V ; Ambient Temperature: 25°C)

<b>Lumen Maintenance Factor</b>	70% of the rated lifetime
<b>Rated Lifetime – L<sub>70B50</sub></b>	50,000 hrs
<b>Switch cycles</b>	$\geq 25,000$

## D. Temperature Operation

<b>Normal operation temperature</b>	-20°C ~ 45°C
<b>Relative Humidity</b>	10% ~ 90%

E. Geometric Data

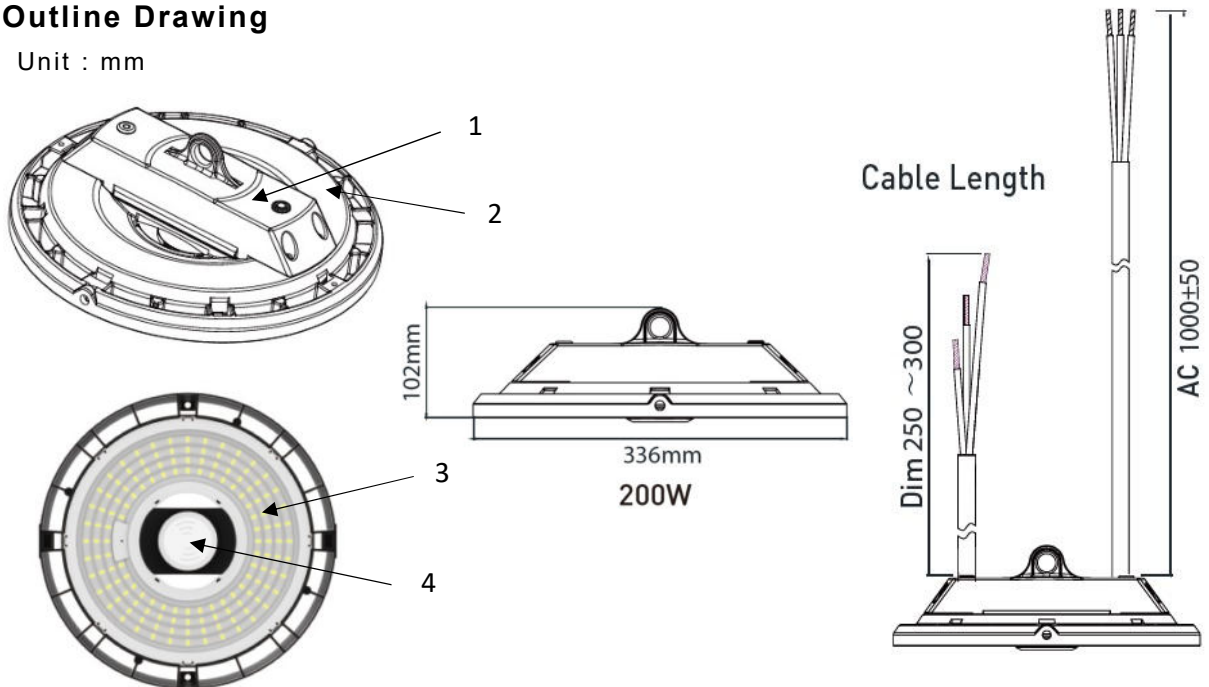
<b>Model</b>	HE High Bay 200W
<b>Maximum overall diameter</b>	336 ± 2 mm ( 13.23 ± 0.08 inch )
<b>Maximum overall thickness</b>	102 ± 2 mm ( 4.02 ± 0.08 inch )
<b>Mass</b>	3 kg± 60g

F. Environmental relevant materials

<b>Mercury (Hg)</b>	Comply with RoHS Directive 2011/65/EU
<b>Lead (Pb)</b>	
<b>Cadmium(Cd)</b>	
<b>Hexavalent Chromium(Cr6+)</b>	
<b>Polybrominated Biphenyls(PBBs)</b>	
<b>Polybrominated Diphenyl Ethers(PBDEs)</b>	
<b>Bis (2-ethylhexyl) phthalate(DEHP)</b>	
<b>Butyl benzyl phthalate(BBP)</b>	
<b>Dibutyl phthalate(DBP)</b>	
<b>Diisobutyl phthalate(DIBP)</b>	

**2. Outline Drawing**

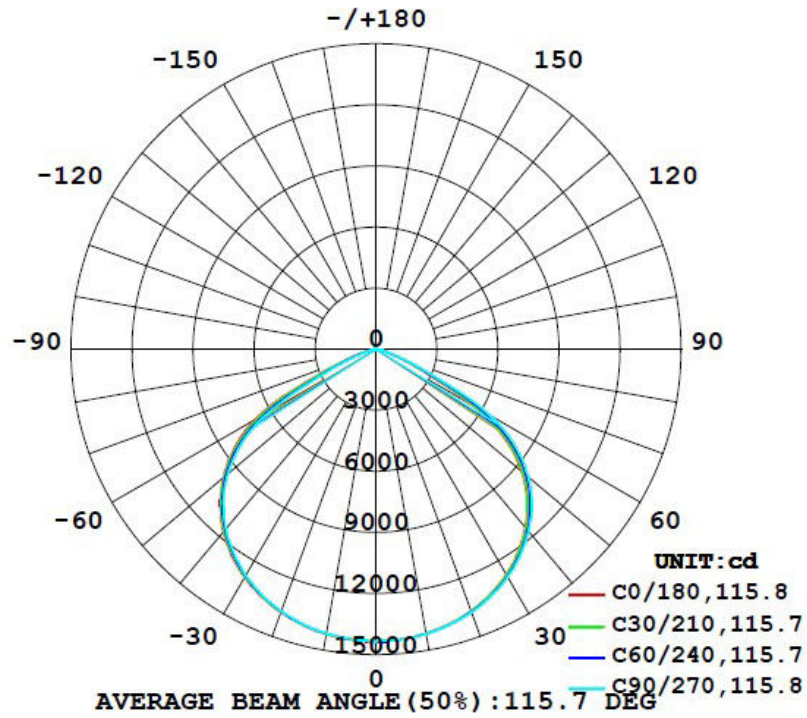
Unit : mm



**Material Information**

- 1. Driver : Aluminum
- 2. Heat sink: Aluminum
- 3. Optical lens : PC
- 4. Sensor PC

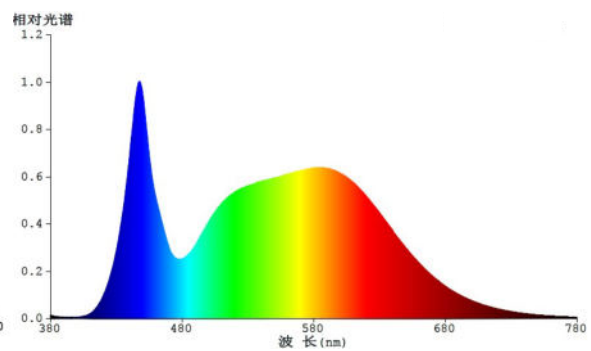
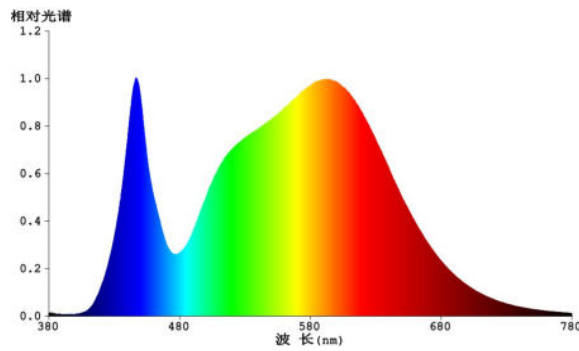
### 3. Light Distribution Curve



### 4. Spectrum Distribution

● 4000K Color Temperature

● 5000K Color Temperature



**5. Warnings**

- Before replacing, turn off power and let high bay cool to avoid electrical shock or burn.
- Do not touch electronic components, electronic components maybe under high voltage.
- Do not stare into LED light beam
- The luminaire shall be installed by a qualified electrician and wired in accordance with the latest IEE electrical regulations or the national requirements.

**6. Cautions**

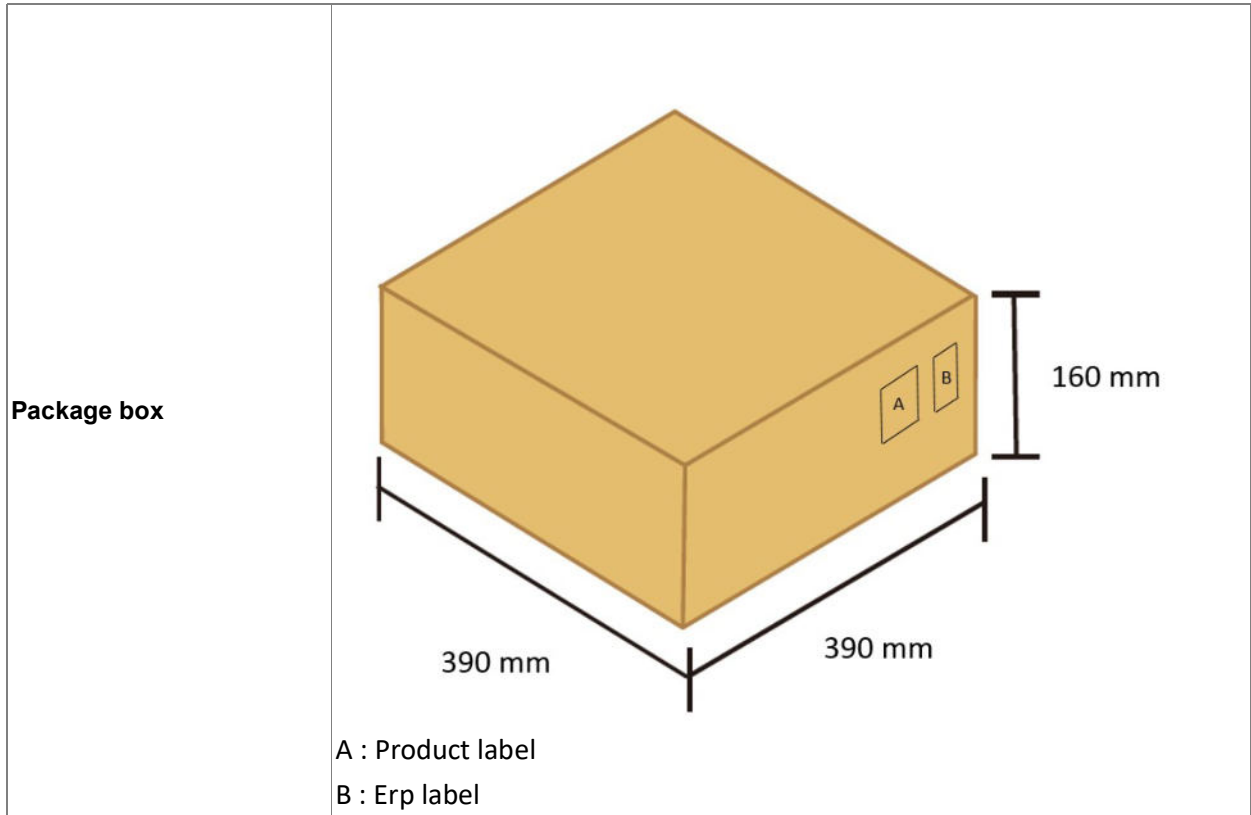
- The light source contained in this luminaire shall only be replaced by the manufacturer or his service agent or a similar qualified person.
- The external flexible cable or cord of this luminaire cannot be replaced; if the cord is damaged, the luminaire shall be destroyed.

**7. Notes**

All characteristics are estimated at room temperature (25°C), free air burning, base up burning position and at rated voltage. In view of the complex manufacturing process for light above for the technical LED parameters are merely statistical values that do not necessarily correspond to the actual technic individual products may vary from the typical values.

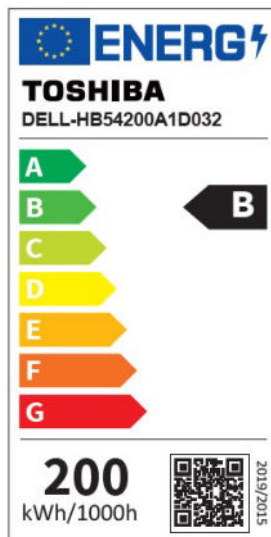
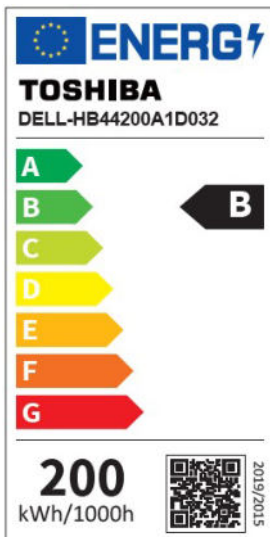
**8. Logistic information**

Model	HE High Bay 200W 4000K	HE High Bay 200W 5000K
Pieces per pack	1	1
EAN code on pack	4711112385461	4711112385478
Size of pack	N/A	N/A
Weight per pack (G.W)	N/A	N/A
Packs per inner box	N/A	N/A
EAN code on inner box	N/A	N/A
ITF code on inner box	N/A	N/A
Size of inner box	N/A	N/A
Weight per inner box(G.W)	N/A	N/A
Packs per outer box	1	1
EAN code on outer box	N/A	N/A
ITF code on outer box	14711112385468	14711112385475
Size of outer box	390x390x160mm	390x390x160mm
Weight per outer box(G.W)	3.7kg	3.7kg



**9. ERP Label**

DELL-HB44200A1D032 / DELL-HB54200A1D032



\*Suppliers have to use the EPREL official website to generate a QR-code by a pre-registration.

## 10. Conformity

<b>2014/35/EU; Low Voltage Directive</b>	EN 60598-2-1: 2021 ; EN IEC 60598-1: 2021 ; IEC/TR 62778:2014 ; EN IEC 62031:2020
<b>2014/30/EU; EMC Directive</b>	EN IEC 55015: 2019+A11:2020 、 EN IEC 61000-3-2:2019 、 EN 61000-3-3: 2013+A1:2019 、 EN 61547: 2009
<b>2009/125/EC; ErP Directive</b>	(EU) 2019/2015 、 (EU) 2019/2020 、 (EU) 2021/340 、 (EU) 2021/341
<b>2011/65/EU+(EU)2015/863; RoHS Directive</b>	EN 50581: 2012

## 11. Applicable countries

Albania ,Austria , Belgium , Bulgaria , Croatia , Cyprus , Czech , Denmark , Estonia , Finland , France , Georgia  
Germany ,Greece , Iceland , Ireland , Italy , Luxembourg , Malta , Morocco , Netherland , Norway , Portugal  
Romania ,Serbia , Spain , Sweden , Switzerland , Tunisia ,U.K

Note : The requirement of each country will be reflected to the product specifications, when the products will be shipped to such country.

## 12. Manufacturer and Toshiba brand licensee

EPILEDS TECHNOLOGIES, INC.