

Unilux IP65 High Bay -100W

Authorized Licensee for TOSHIBA trademark



1. Specification:

A. General Data

Model	4000K 60D	4000K 90D	4000K 110D	5000K 110D
P/N	AELL-HB421006 0A013	AELL-HB4210090 A013	AELL-HB42100A1 A013	AELL-HB52100A1 A013
Product code	TBD			
Rated Voltage	100-240 VAC			
Frequency	50/60 Hz			
Rated Wattage	100.0 W			
Deviation Tolerance of Wattage	±10 %			
Power Factor*	0.95(typical)			
Rated Input Current	091 A (110V) 045 A (220V)			
Maximum Input Current	1.1 A			
Start On	<0.5S			
Warm-up time up to 60% of the full light output	<1S			
Dimmable	NO			
Beam Angle	60°	90°	110°	110°
Unified Glare Rating Room dimensions of 4H/8H	<22	<25	<30	<30
Peak luminous intensity (cd)	15300	7100	5500	5500
R9 CRI	>0	>0	>0	>0
Survival factor	>0.9	>0.9	>0.9	>0.9

Lumen Maintenance factor	>96%	>96%	>96%	>96%
Displacement factor (cos φ1)	≧ 0.9	≧ 0.9	≧ 0.9	≧ 0.9
Stroboscopic effect metric (SVM)**	0.00	0.00	0.00	0.00
Flicker metric (PstLM)**	0.00	0.00	0.00	0.00
Energy Efficiency Class(EEC)	D	D	D	D
Safety requirements	CE			
Applicable Environments	IP65 / IK08			
Type of Installation	Suspension			
Exchangeable LED Module	NO			
Photobiological Group	RG1			
Safety class	Class I			

* PF tolerance +/- 5%

**Outdoor product belongs to the (EU) 2019/2020 Appendix III exemption light source item.

B. Light Data

Color	Natural White			Cool White
Color Temperature (CCT)	4000K			5000K
Total luminous flux*	14,000 lm			
Useful luminous flux*	12,000 lm	13,000 lm	12,900 lm	12,900 lm
Color Rendering Index*	80			
Efficacy (Total)*	140 lm/W			
Efficacy (Useful)*	120lm/W	130 lm/W	129 lm/W	129 lm/W
Color Consistency**	6 Step MacAdam Ellipse (6 SDCM)			

* tolerance +/- 10% ** 4000K center point (0.3818, 0.3797), 5000K center point (0.3447, 0.3553)

C. Lifetime

(Supplied Voltage: AC230V; Ambient Temperature: 25°C)

Lumen Maintenance Factor	70% of the rated lifetime
Rated Lifetime – L₇₀B₅₀	50,000 hrs
Switching Cycles	≧ 25,000

D. Temperature Operation

Representative: Westnet Distribution S.A.

Normal operation temperature	-10°C ~ 40°C
Relative Humidity	10% ~ 90%

E. Geometric Data

Model	Unilux IP65 High bay -100W
Maximum length	φ294 mm ± 5 mm
Maximum width	φ294 mm ± 5 mm
Maximum height	178 mm ± 5 mm
Mass	1800 g ± 5%

F. Environmental relevant materials

Mercury (Hg)	Comply with RoHS Directive 2011/65/EU
Lead (Pb)	
Cadmium(Cd)	
Hexavalent Chromium(Cr6+)	
Polybrominated Biphenyls(PBBs)	
Polybrominated Diphenyl Ethers(PBDEs)	
Bis (2-ethylhexyl) phthalate(DEHP)	
Butyl benzyl phthalate(BBP)	
Dibutyl phthalate(DBP)	
Diisobutyl phthalate(DIBP)	

2. Outline Drawing

Unit : mm

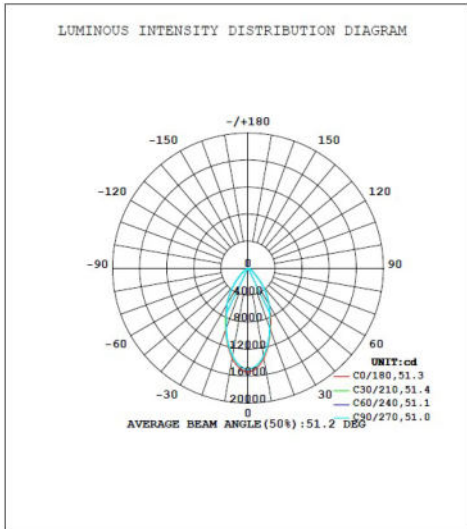


Material Information

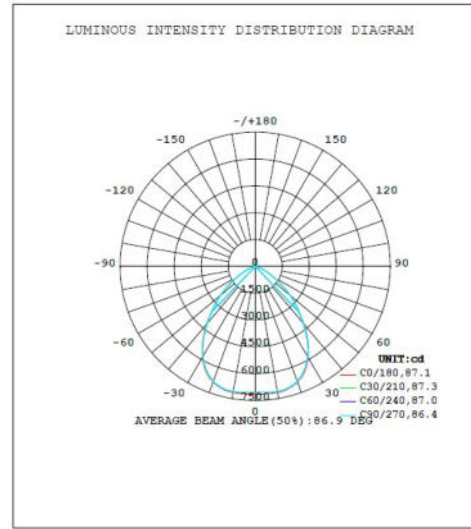
1. Driver :	Aluminum
2. Heat sink:	Aluminum
3. MCPCB :	Aluminum
4. Gasket	Silicone
5. Plastics washer	PC
6. Optical lens:	PC

3. Light Distribution Curve

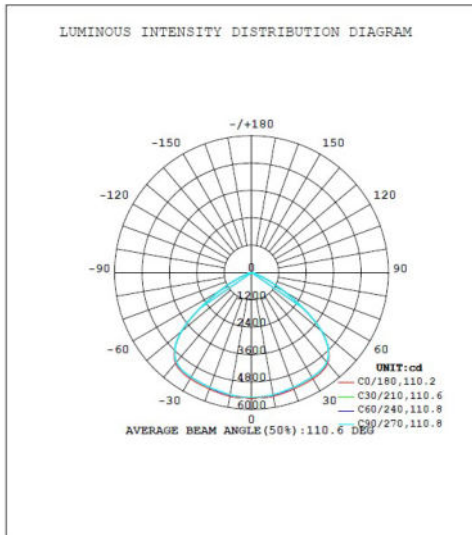
100W – 60D



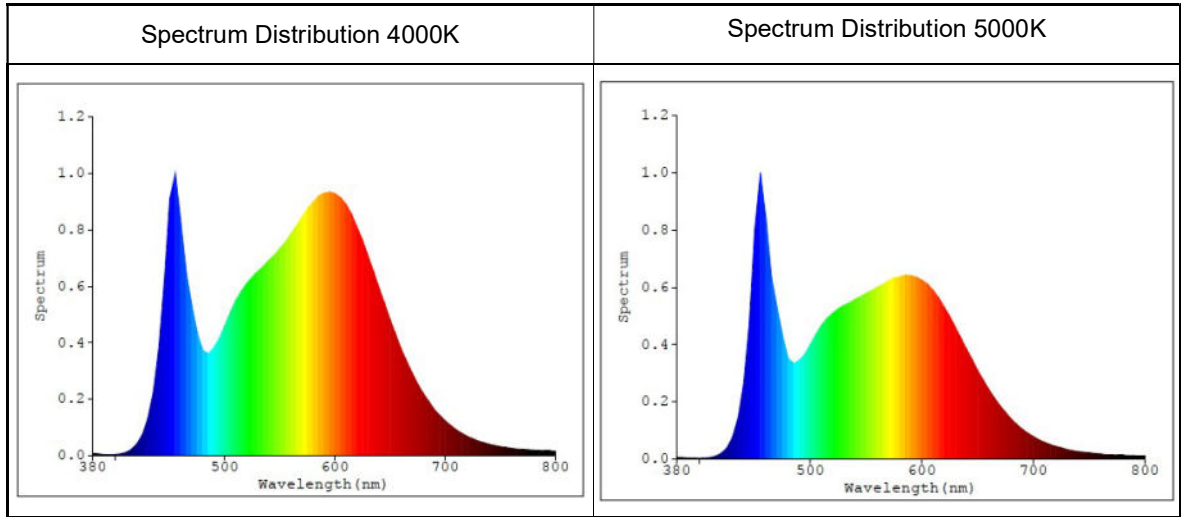
100W - 90D



100W – 110D

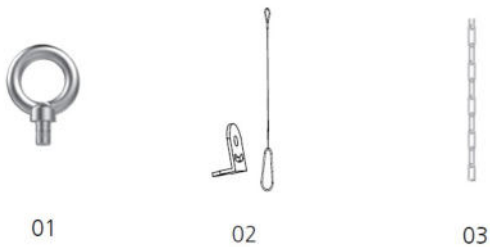


4. Spectrum Distribution



5. Accessory

Round hook: M10, Bracket: 39.6*30*18.5mm, Safety rope: 1M Φ 1.5mm



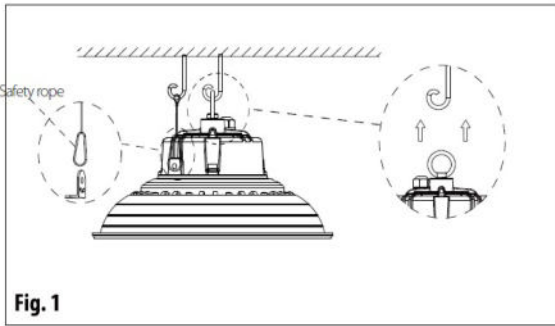
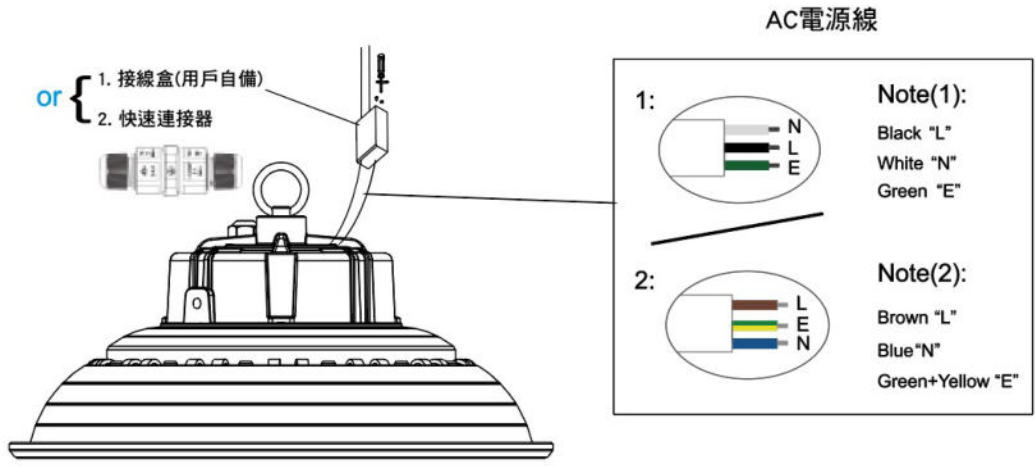
Mounting Accessories

Accessories	IMAGE	DESIGNTION	MATERIAL	QUANTITY	ACCESSORY USE
Standard	01	Round hook	Stainless steel	1PC	Used for suspending.
Standard	02	Safety rope Bracket	Stainless steel SPCC	1PC	Used for suspending.
Optional	03	Chain	Stainless steel	1PC	Used for suspending.

6. Installation

Representative: Westnet Distribution S.A.

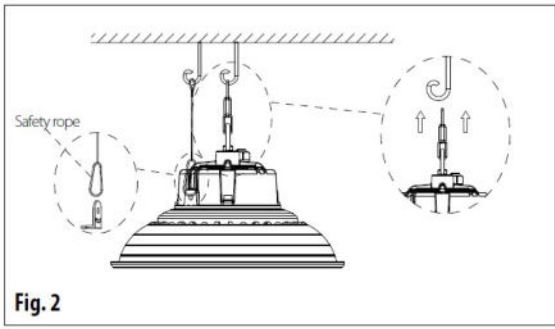
Junction Box is not provide.



1

Round hook

- A. First fix two hooks to the wall.
- B. Fix the lamp by connecting the lifting ring on the power supply through the hook.
- C. Fix the safety rope by connecting the hole bracket on the power supply through the hook.
- D. Connect the power cord, pay attention to distinguish the live, neutral and ground of the power supply.
- E. Press the power cord to illuminate the light to ensure the light is on.



2

Chain

- A. First fix two hooks to the wall.
- B. Fix the chain by connecting the lifting ring on the power supply through the hook.
- C. Fix the safety rope by connecting the hole bracket on the power supply through the hook.
- D. Connect the power cord, pay attention to distinguish the live, neutral and ground of the power supply.
- E. Press the power cord to illuminate the light to ensure the light is on.

7. Warnings

- Before replacing, turn off power and let high bay cool to avoid electrical shock or burn.

- Do not touch electronic components, electronic components maybe under high voltage.
- Do not stare into LED light beam
- The luminaire shall be installed by a qualified electrician and wired in accordance with the latest IEE electrical regulations or the national requirements.

8. Cautions

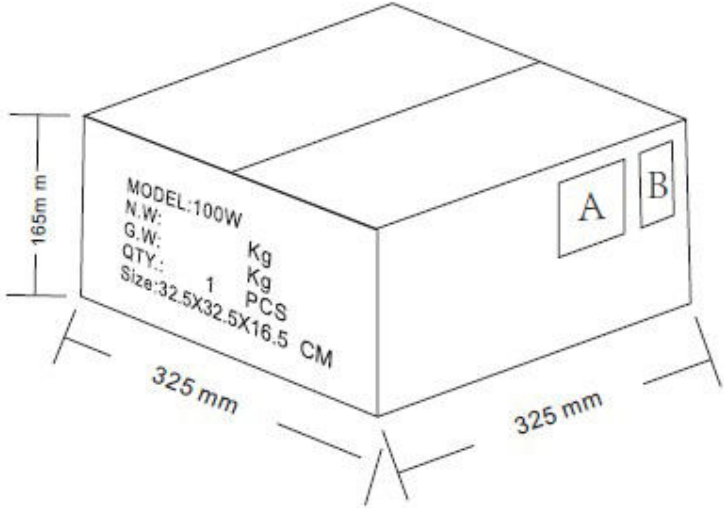
Only to apply in dry or damp locations and most of open fixtures with lamp-holders that offer sufficient space (10 mm free air space). Not intended for use with emergency light fixtures or exit lights.

9. Notes

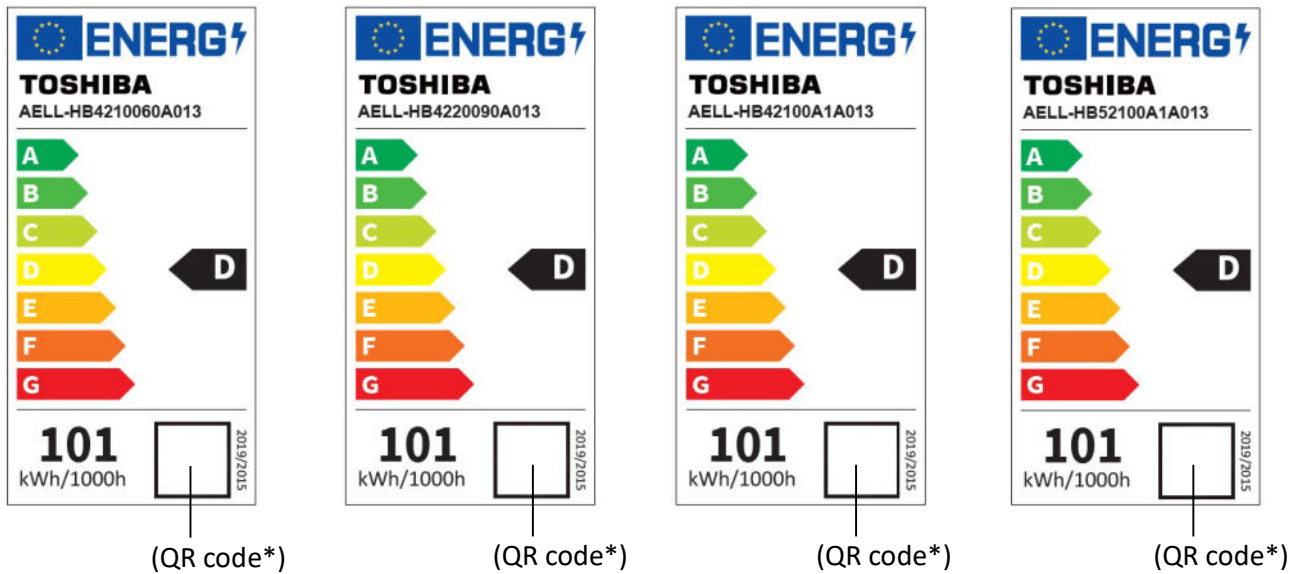
All characteristics are estimated at room temperature (25°C), free air burning, base up burning position and at rated voltage. In view of the complex manufacturing process for light above for the technical LED parameters are merely statistical values that do not necessarily correspond to the actual technic individual products may vary from the typical values.

10. Logistic information

Model	4000K 60D	4000K 90D	4000K 110D	5000K 110D
P/N	AELL-HB4210060A013	AELL-HB4210090A013	AELL-HB42100A1A013	AELL-HB52100A1A013
Pieces per pack	N/A			
EAN code on pack	N/A			
Size of pack	N/A			
Weight per pack (G.W)	N/A			
Packs per inner box	N/A			
EAN code on inner box	N/A			
ITF code on inner box	N/A			
Size of inner box	N/A			
Weight per inner box(G.W)	N/A			
Packs per outer box	1			
EAN code on outer box	4711112383030	4711112383047	4711112383054	4711112383061

ITF code on outer box	14711112383037	14711112383044	14711112383051	14711112383068
Size of outer box	325x325x175 mm			
Weight per outer box(G.W)	2.4 kg			
Packing Photograph	 <p>A : Product label B : Erp label</p>			

11. ERP Label



(QR code*)

(QR code*)

(QR code*)

(QR code*)

*Suppliers have to use the EPREL official website to generate a QR-code by a pre-registration.

12. Conformity

2014/35/EU; Low Voltage Directive	EN 60598-2-1:1989 ; EN 60598-1: 2015+A1:2018 ; EN 62471:2008 ; EN 62493:2015 ; EN 62031:2008+A1:2013+A2:2015
2014/30/EU; EMC Directive	EN 55015: 2013+A12015 、 EN 61000-3-2:2014 、 EN 61000-3-3: 2013 EN 61547:2009
2009/125/EC; ErP Directive	(EU) 2019/2015 、 (EU) 2019/2020 、 (EU) 2021/340 、 (EU) 2021/341
2011/65/EU+(EU)2015/863; RoHS Directive	EN 50581: 2012

13. Applicable countries

Albania ,Austria , Belgium , Bulgaria , Croatia , Cyprus , Czech , Denmark , Estonia , Finland , France , Georgia
Germany ,Greece , Iceland , Ireland , Italy , Luxembourg , Malta , Morocco , Netherland , Norway , Portugal
Romania ,Serbia , Spain , Sweden , Switzerland , Tunisia ,U.K

Note : The requirement of each country will be reflected to the product specifications, when the products will be shipped to such country.

14. Manufacturer and Toshiba brand licensee

EPILEDs TECHNOLOGIES, INC.