

# Unilux IP65 High Bay -150W

Authorized Licensee for TOSHIBA trademark



## 1. Specification:

### A. General Data

<b>Model</b>	4000K 60D	4000K 90D	4000K 110D	5000K 110D
<b>P/N</b>	AELL-HB4215060 A013	AELL-HB4215090A 013	AELL-HB42150A1A 013	AELL-HB52150A1A 013
<b>Product code</b>	TBD			
<b>Rated Voltage</b>	100-240 VAC			
<b>Frequency</b>	50/60 Hz			
<b>Rated Wattage</b>	150.0 W			
<b>Deviation Tolerance of Wattage</b>	±10 %			
<b>Power Factor*</b>	0.95(typical)			
<b>Rated Input Current</b>	1.36 A (110V) 0.68 A (220V)			
<b>Maximum Input Current</b>	1.65 A			
<b>Start On</b>	<0.5S			
<b>Warm-up time up to 60% of the full light output</b>	<1S			
<b>Dimmable</b>	NO			
<b>Beam Angle</b>	60°	90°	110°	110°
<b>Unified Glare Rating Room dimensions of 4H/8H</b>	<22	<25	<30	<30
<b>Peak luminous intensity (cd)</b>	25400	12500	8700	8700
<b>R9 CRI</b>	>0	>0	>0	>0
<b>Survival factor</b>	>0.9	>0.9	>0.9	>0.9

<b>Lumen Maintenance factor</b>	>96%	>96%	>96%	>96%
<b>Displacement factor (cos φ1)</b>	≧ 0.9	≧ 0.9	≧ 0.9	≧ 0.9
<b>Stroboscopic effect metric (SVM)**</b>	0.00	0.00	0.00	0.00
<b>Flicker metric (PstLM)**</b>	0.00	0.00	0.00	0.00
<b>Energy Efficiency Class(EEC)</b>	D	D	D	D
<b>Safety requirements</b>	CE			
<b>Applicable Environments</b>	IP65 / IK08			
<b>Type of Installation</b>	Suspension			
<b>Exchangeable LED Module</b>	NO			
<b>Photobiological Group</b>	RG1			
<b>Safety class</b>	Class I			

\* PF tolerance +/- 5%

\*\*Outdoor product belongs to the (EU) 2019/2020 Appendix III exemption light source item.

### B. Light Data

<b>Color</b>	Natural White			Cool White
<b>Color Temperature (CCT)</b>	4000K			5000K
<b>Total luminous flux*</b>	21,000 lm			
<b>Useful luminous flux*</b>	<b>18500 lm</b>	<b>19,900 lm</b>	<b>20,000 lm</b>	<b>20,000 lm</b>
<b>Color Rendering Index*</b>	80			
<b>Efficacy (Total)*</b>	140 lm/W			
<b>Efficacy (Useful)*</b>	123.3 lm/W	132.6 lm/W	133.3 lm/W	133.3 lm/W
<b>Color Consistency**</b>	6 Step MacAdam Ellipse (6 SDCM)			

\* tolerance +/- 10% \*\* 4000K center point (0.3818, 0.3797), 5000K center point(0.3447, 0.3553)

### C. Lifetime

(Supplied Voltage: AC230V; Ambient Temperature: 25°C)

<b>Lumen Maintenance Factor</b>	70% of the rated lifetime
<b>Rated Lifetime – L<sub>70B50</sub></b>	50,000 hrs
<b>Switching Cycles</b>	≧ 25,000

### D. Temperature Operation

<b>Normal operation temperature</b>	-10°C ~ 40°C
<b>Relative Humidity</b>	10% ~ 90%

E. Geometric Data

<b>Model</b>	Unilux IP65 High bay -150W
<b>Maximum length</b>	φ340 mm ± 5 mm
<b>Maximum width</b>	φ340 mm ± 5 mm
<b>Maximum height</b>	185 mm ± 5 mm
<b>Mass</b>	2600 g ± 5%

F. Environmental relevant materials

<b>Mercury (Hg)</b>	Comply with RoHS Directive 2011/65/EU
<b>Lead (Pb)</b>	
<b>Cadmium(Cd)</b>	
<b>Hexavalent Chromium(Cr6+)</b>	
<b>Polybrominated Biphenyls(PBBs)</b>	
<b>Polybrominated Diphenyl Ethers(PBDEs)</b>	
<b>Bis (2-ethylhexyl) phthalate(DEHP)</b>	
<b>Butyl benzyl phthalate(BBP)</b>	
<b>Dibutyl phthalate(DBP)</b>	
<b>Diisobutyl phthalate(DIBP)</b>	

**2. Outline Drawing**

Unit : mm

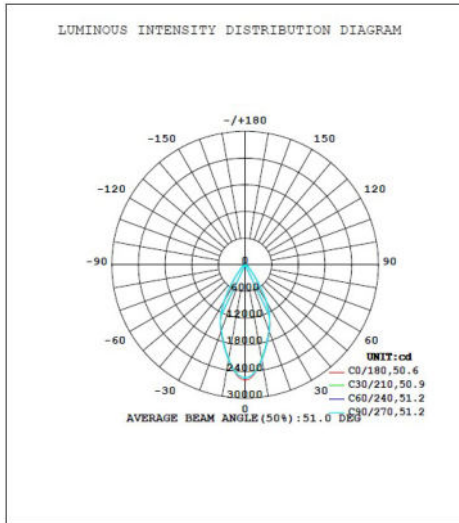


**Material Information**

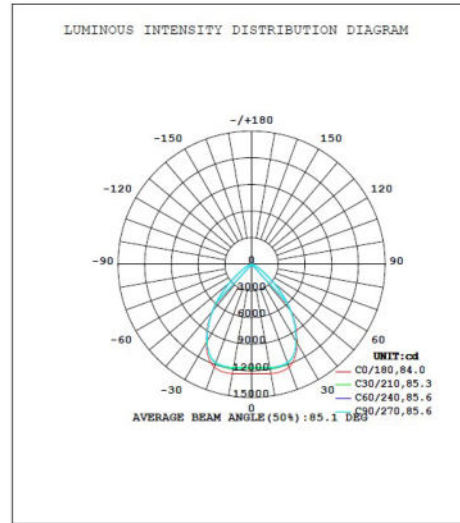
- |                    |          |
|--------------------|----------|
| 1. Driver :        | Aluminum |
| 2. Heat sink:      | Aluminum |
| 3. MCPCB :         | Aluminum |
| 4. Gasket          | Silicone |
| 5. Plastics washer | PC       |
| 6. Optical lens:   | PC       |

**3. Light Distribution Curve**

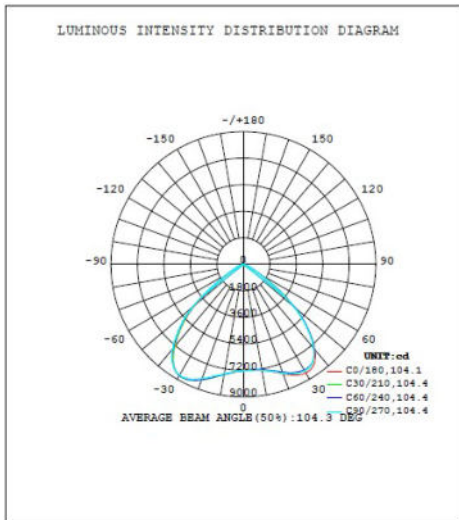
150W- 60D



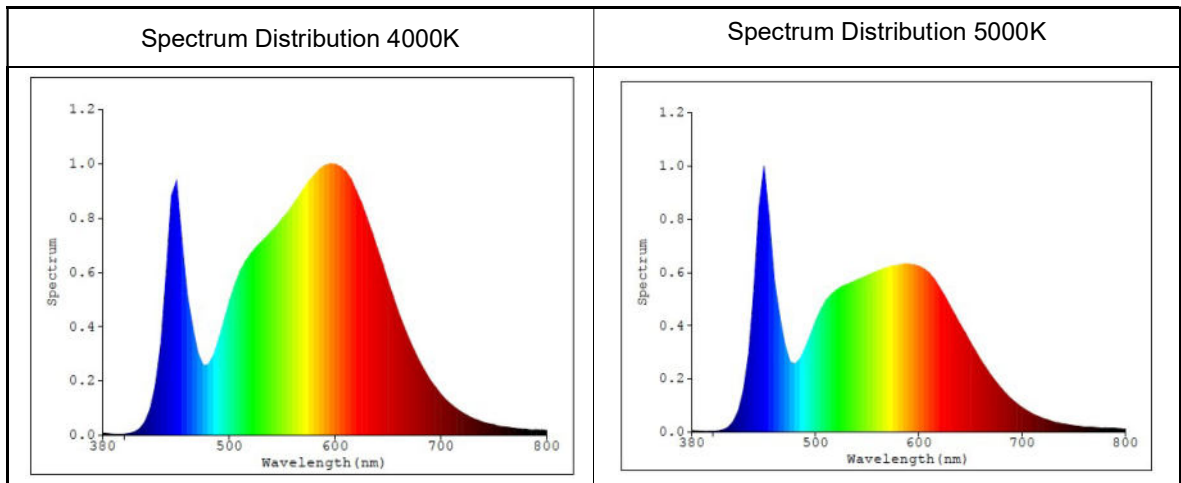
150W-90D



150W- 110D

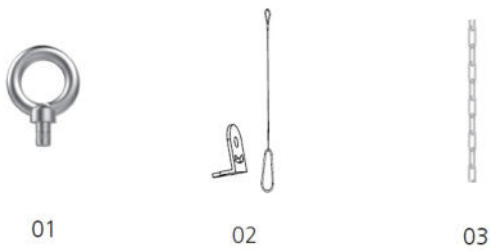


**4. Spectrum Distribution**



**5. Accessory**

Round hook: M10, Bracket: 39.6\*30\*18.5mm, Safety rope: 1M Φ1.5mm

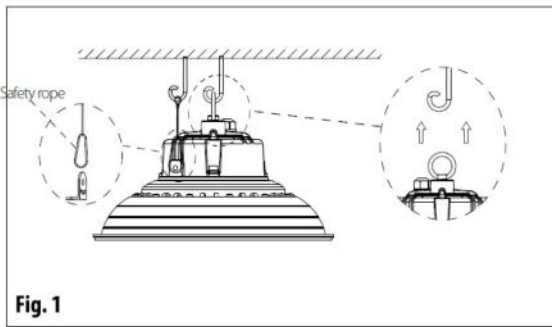
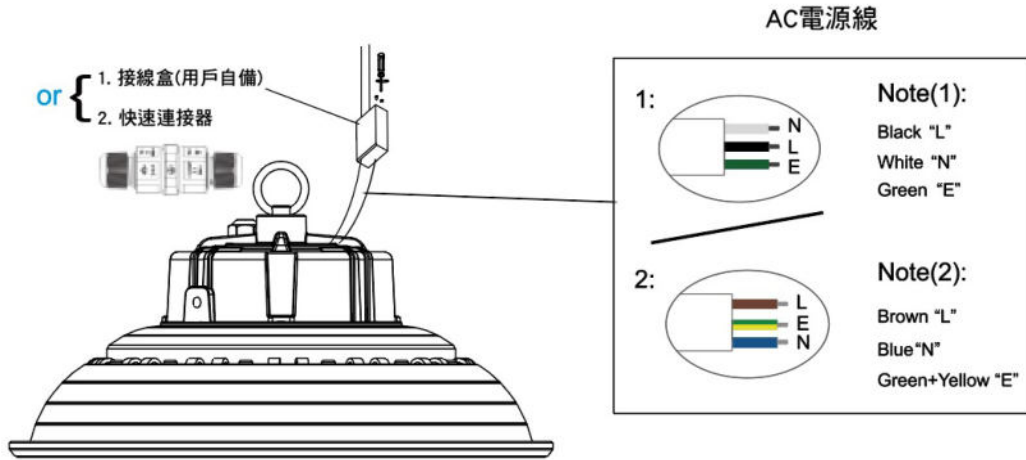


**Mounting Accessories**

Accessories	IMAGE	DESIGNTION	MATERIAL	QUANTITY	ACCESSORY USE
Standard	01	Round hook	Stainless steel	1PC	Used for suspending.
Standard	02	Safety rope Bracket	Stainless steel SPCC	1PC	Used for suspending.
Optional	03	Chain	Stainless steel	1PC	Used for suspending.

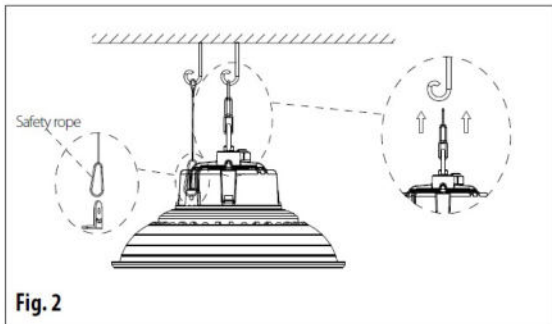
## 6. Installation

Junction Box is not provide.



### 1 Round hook

- A. First fix two hooks to the wall.
- B. Fix the lamp by connecting the lifting ring on the power supply through the hook.
- C. Fix the safety rope by connecting the hole bracket on the power supply through the hook.
- D. Connect the power cord, pay attention to distinguish the live, neutral and ground of the power supply.
- E. Press the power cord to illuminate the light to ensure the light is on.



### 2 Chain

- A. First fix two hooks to the wall.
- B. Fix the chain by connecting the lifting ring on the power supply through the hook.
- C. Fix the safety rope by connecting the hole bracket on the power supply through the hook.
- D. Connect the power cord, pay attention to distinguish the live, neutral and ground of the power supply.
- E. Press the power cord to illuminate the light to ensure the light is on.

## 7. Warnings

- Before replacing, turn off power and let high bay cool to avoid electrical shock or burn.
- Do not touch electronic components, electronic components maybe under high voltage.
- Do not stare into LED light beam
- The luminaire shall be installed by a qualified electrician and wired in accordance with the latest IEE electrical regulations or the national requirements.

## 8. Cautions

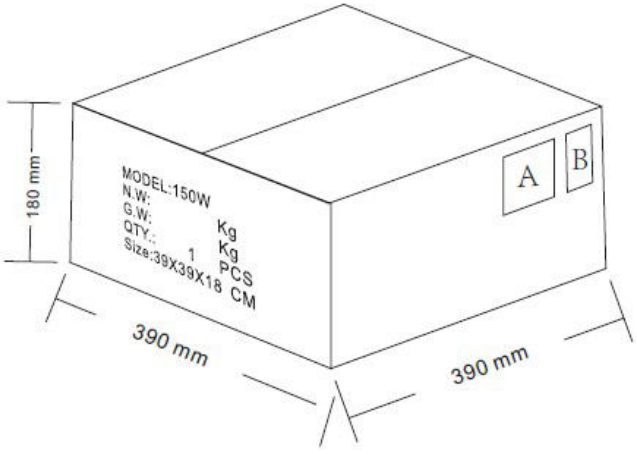
Only to apply in dry or damp locations and most of open fixtures with lamp-holders that offer sufficient space (10 mm free air space). Not intended for use with emergency light fixtures or exit lights.

## 9. Notes

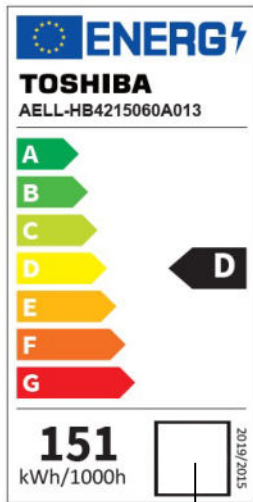
All characteristics are estimated at room temperature (25°C), free air burning, base up burning position and at rated voltage. In view of the complex manufacturing process for light above for the technical LED parameters are merely statistical values that do not necessarily correspond to the actual technic individual products may vary from the typical values.

## 10. Logistic information

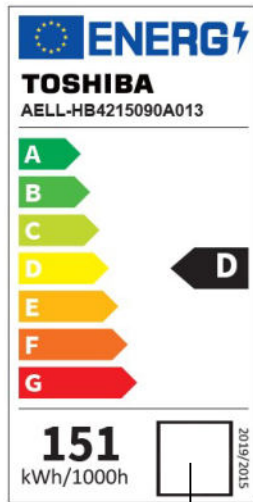
Model	4000K 60D	4000K 90D	4000K 110D	5000K 110D
P/N	AELL-HB4215060 A013	AELL-HB4215090 A013	AELL-HB42150A1 A013	AELL-HB52150A1 A013
Pieces per pack	N/A			
EAN code on pack	N/A			
Size of pack	N/A			
Weight per pack (G.W)	N/A			
Packs per inner box	N/A			
EAN code on inner box	N/A			
ITF code on inner box	N/A			
Size of inner box	N/A			
Weight per inner box(G.W)	N/A			
Packs per outer	1			

<b>box</b>				
<b>EAN code on outer box</b>	4711112383078	4711112383085	4711112383108	4711112383092
<b>ITF code on outer box</b>	14711112383075	14711112383082	14711112383105	14711112383099
<b>Size of outer box</b>	390x390x180 mm			
<b>Weight per outer box(G.W)</b>	3.6 kg			
<b>Packing Photograph</b>	 <p>A : Product label B : Erp label</p>			

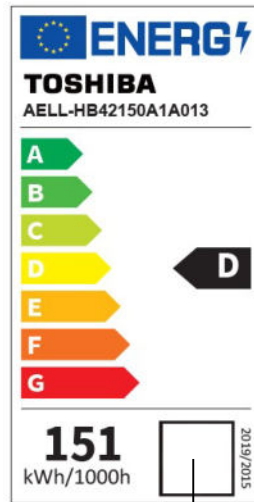
**11. ERP Label**



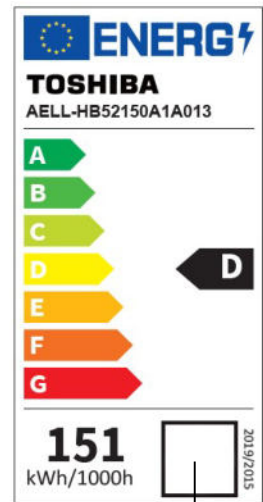
(QR code\*)



(QR code\*)



(QR code\*)



(QR code\*)

\*Suppliers have to use the EPREL official website to generate a QR-code by a pre-registration.



## 12. Conformity

<b>2014/35/EU; Low Voltage Directive</b>	EN 60598-2-1:1989 ; EN 60598-1: 2015+A1:2018 ; EN 62471:2008 ; EN 62493:2015 ; EN 62031:2008+A1:2013+A2:2015
<b>2014/30/EU; EMC Directive</b>	EN 55015: 2013+A12015 、 EN 61000-3-2:2014 、 EN 61000-3-3: 2013 EN 61547:2009
<b>2009/125/EC; ErP Directive</b>	(EU) 2019/2015 、 (EU) 2019/2020 、 (EU) 2021/340 、 (EU) 2021/341
<b>2011/65/EU+(EU)2015/863; RoHS Directive</b>	EN 50581: 2012

## 13. Applicable countries

Albania ,Austria , Belgium , Bulgaria , Croatia , Cyprus , Czech , Denmark , Estonia , Finland , France , Georgia  
Germany ,Greece , Iceland , Ireland , Italy , Luxembourg , Malta , Morocco , Netherland , Norway , Portugal  
Romania ,Serbia , Spain , Sweden , Switzerland , Tunisia ,U.K

Note : The requirement of each country will be reflected to the product specifications, when the products will be shipped to such country.

## 14. Manufacturer and Toshiba brand licensee

EPILEDs TECHNOLOGIES, INC.