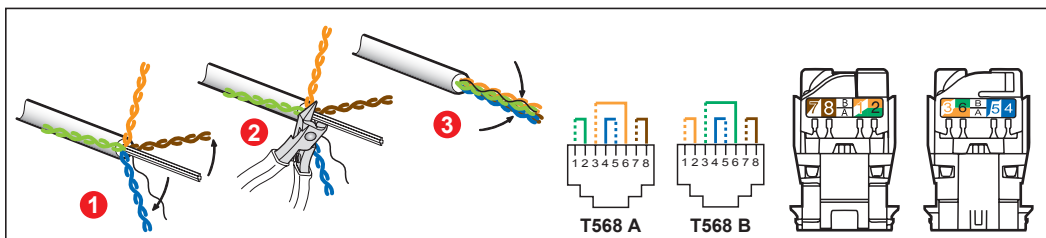
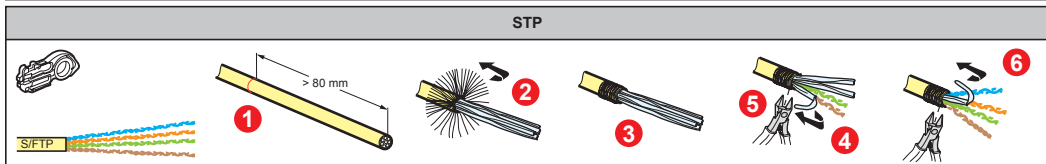
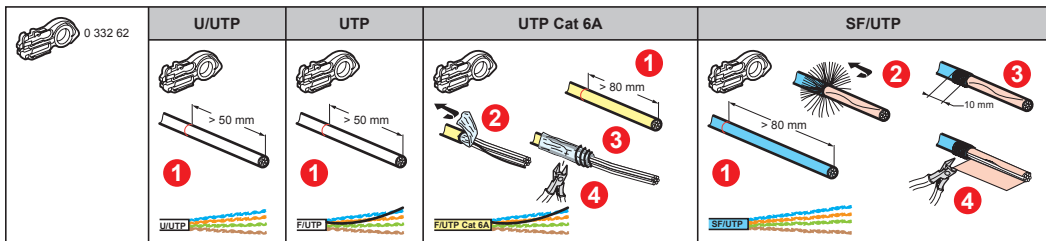
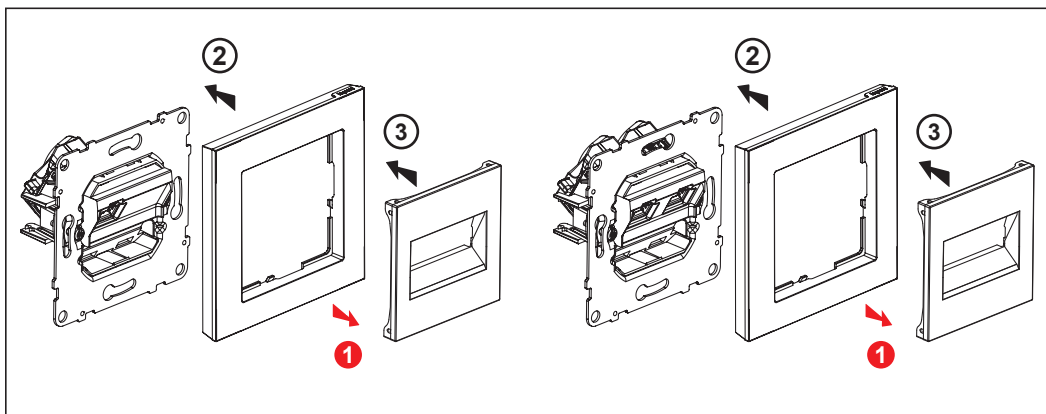
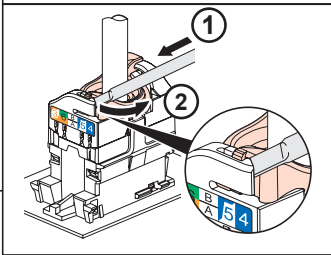
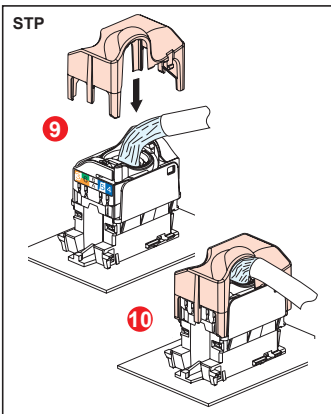
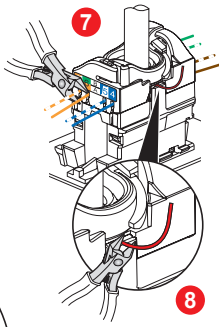
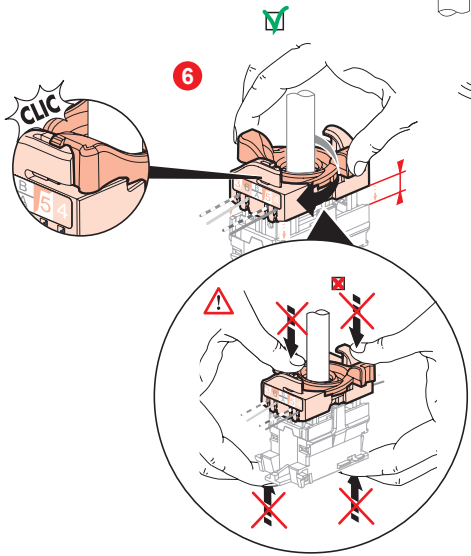
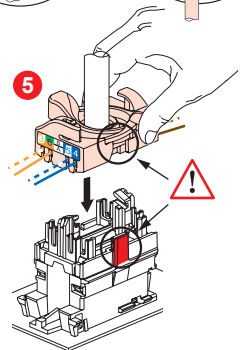
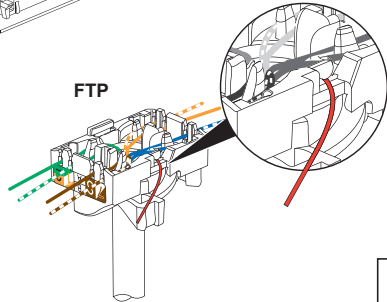
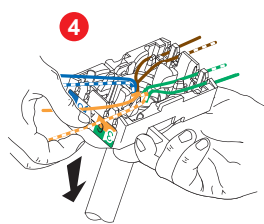
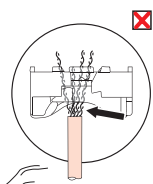
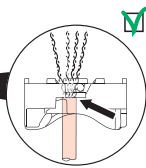
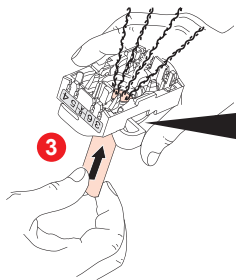
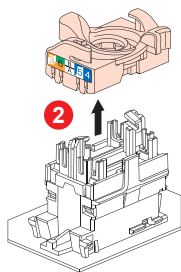
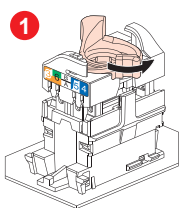
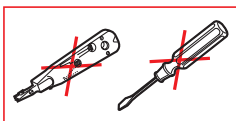
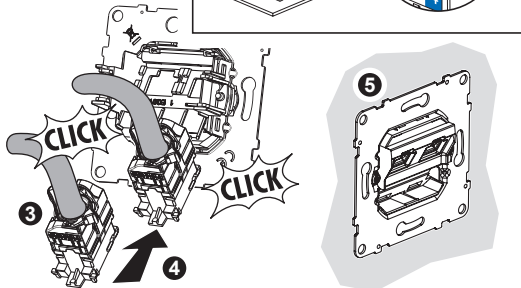
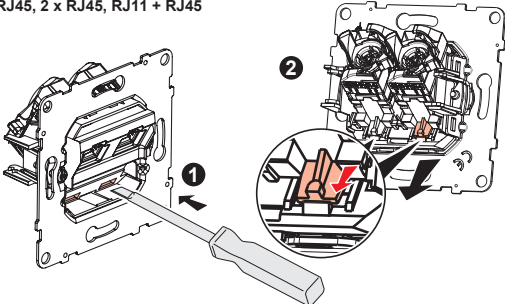


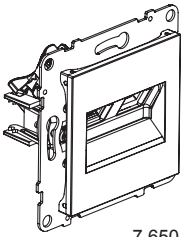
UTP  STP	UTP		
	Cat 5e	.... 55/59	-
	Cat 6	.... 56/60 .... 89	-
Cat 6A	.... 57/61	.... 58/62	





RJ45, 2 x RJ45, RJ11 + RJ45





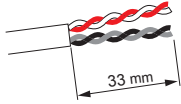
RJ45 + RJ11

7 650 89

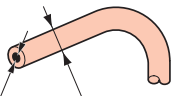


RJ11

4321



33 mm



26 AWG <math>< \varnothing < 21 \text{ AWG}</math>

$\varnothing 1,4 \text{ mm max.}$

