

PRODUCT DATASHEET

DP HOUSING 600 P 1XLAMP IP65

DAMP PROOF HOUSING GEN 3 | Damp-proof luminaire for T8 LED lamps with tool-free luminaire connector

Areas of application

- Parking lots, warehouses, production areas
- Car parks and underpasses
- Garages



PERFOR-
MANCE
CLASS

Product benefits

- Easy and quick installation
- Prewired for easy installation of tubular AC LED lamps
- Toolless installation
- Robust housing
- Sustainable solution thanks to exchangeable light sources
- 5 years guarantee

Product features

- Luminaire housing, available for 1 or 2 T8 LED tubes
- Suitable for LED TUBE T8 EM and LED TUBE T8 CONNECTED
- Type of protection: IP65
- Integrated electrical fuse



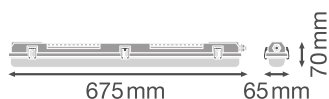
TECHNICAL DATA

Electrical data

| | |
|------------------|-------------|
| Nominal voltage | 220...240 V |
| Mains frequency | 50...60 Hz |
| Protection class | II |

Dimensions & Weight

| | |
|----------------|-----------|
| Length | 675.00 mm |
| Width | 65.00 mm |
| Height | 70.00 mm |
| Product weight | 420.00 g |



Materials & Colors

| | |
|--|--------------------|
| Product color | Gray |
| Housing color | Gray |
| Body material | Polycarbonate (PC) |
| Cover material | Polycarbonate (PC) |
| Light emitting surface material | Polycarbonate (PC) |
| Glow Wire Test according to IEC 60695-2-12 | 850 °C |
| Mercury content | 0.0 mg |

Application & Mounting

| | |
|------------------------------|--------------------------------------|
| Ambient temperature range | -30...+40 °C |
| Temperature range at storage | -20...+80 °C |
| Type of connection | Screwless terminal, 3-Pole (N, E, L) |

| | |
|--|---------|
| Type of protection | IP65 |
| Protection class IK (shock resistance) | IK08 |
| Dimmable | No |
| Mounting type | Surface |
| Mounting location | Ceiling |
| Application environment | Indoor |
| With light source | No |
| Holder designation | G13 |








Certificates & Standards

| | |
|--|---------------------------------|
| Standards | CE / TÜV Rheinland / EAC / UKCA |
| Luminaire with limited surface temperature, "D sign" | No |
| Ball shot safe | No |

EQUIPMENT / ACCESSORIES

- All required accessories included
- Through-wiring cable kit available

DOWNLOAD DATA

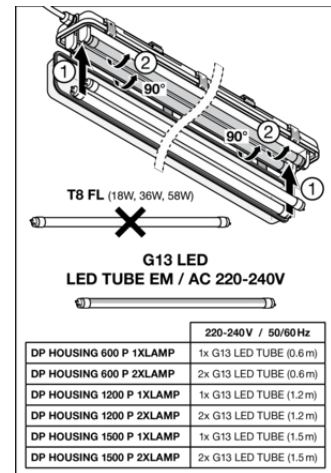
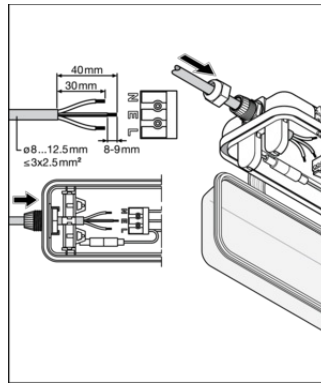
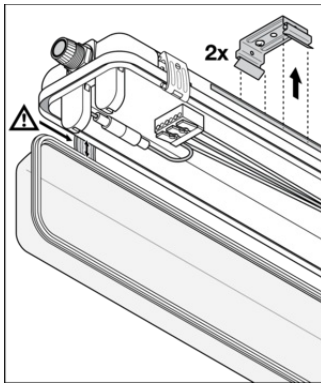
| Documents and certificates | |
|--|---------------------------------|
|  | User instruction |
|  | Packaging insert |
|  | Declarations Of Conformity CE |
|  | Declarations Of Conformity UKCA |
| CAD/BIM files | |
|  | BIM_Revit_3D |
|  | CAD_STEP_3D |
| Tender texts | |
|  | Tender documents |

LOGISTICAL DATA

| Product code | Packaging unit (Pieces/Unit) | Dimensions (length x width x height) | Gross weight | Volume |
|---------------|------------------------------|--------------------------------------|--------------|-----------------------|
| 4099854118050 | Folding box 1 | 68 mm x 663 mm x 75 mm | 531.00 g | 3.38 dm ³ |
| 4099854118067 | Shipping box 10 | 678 mm x 148 mm x 387 mm | 6379.00 g | 38.83 dm ³ |

The mentioned product code describes the smallest quantity unit which can be ordered. One shipping unit can contain one or more single products. When placing an order, for the quantity please enter single or multiples of a shipping unit.

ADDITIONAL CATALOG INFORMATION



References / Links

- For Guarantee see www.ledvance.com/guarantee

DISCLAIMER

Subject to change without notice. Errors and omission excepted. Always make sure to use the most recent release.