

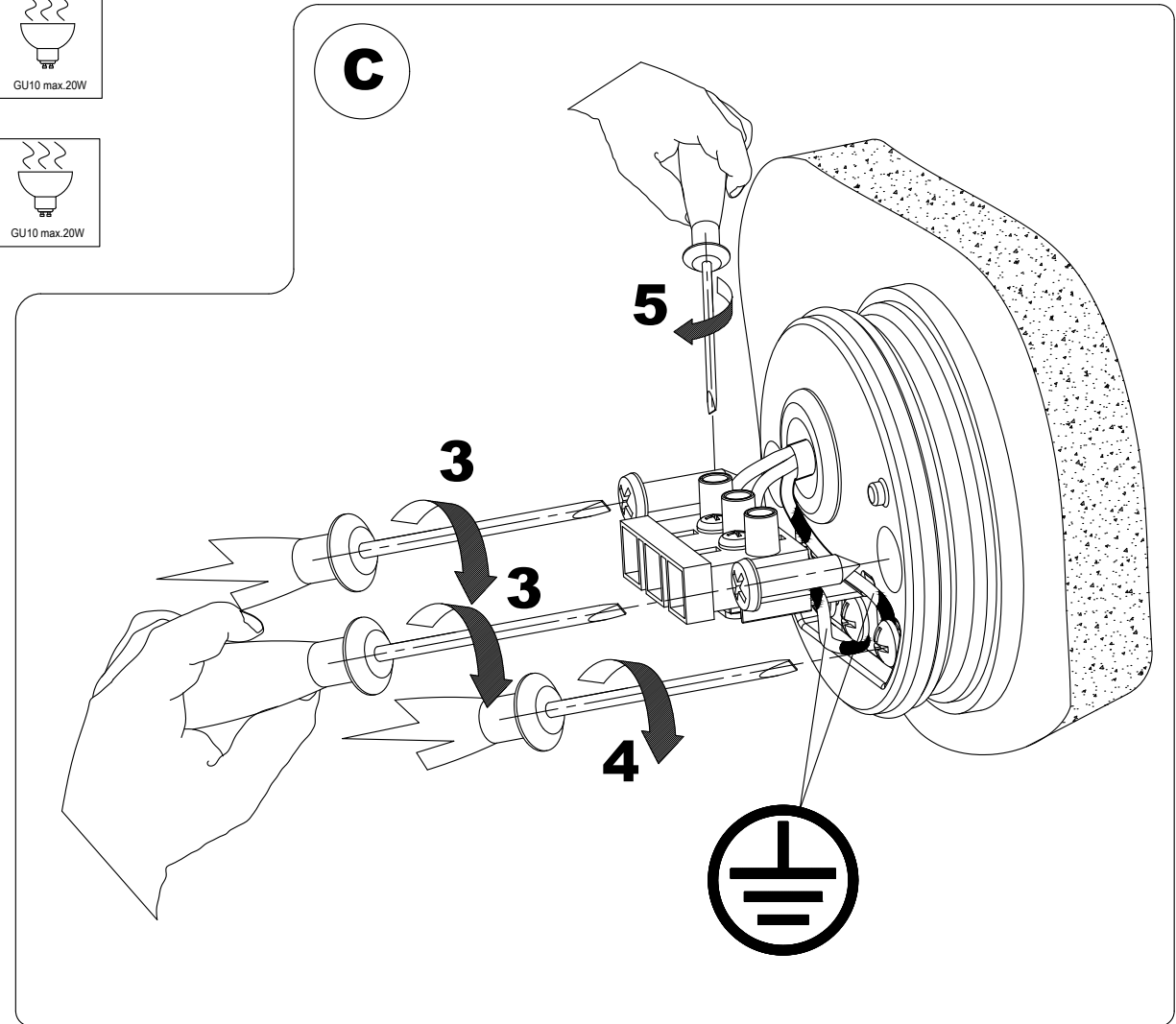
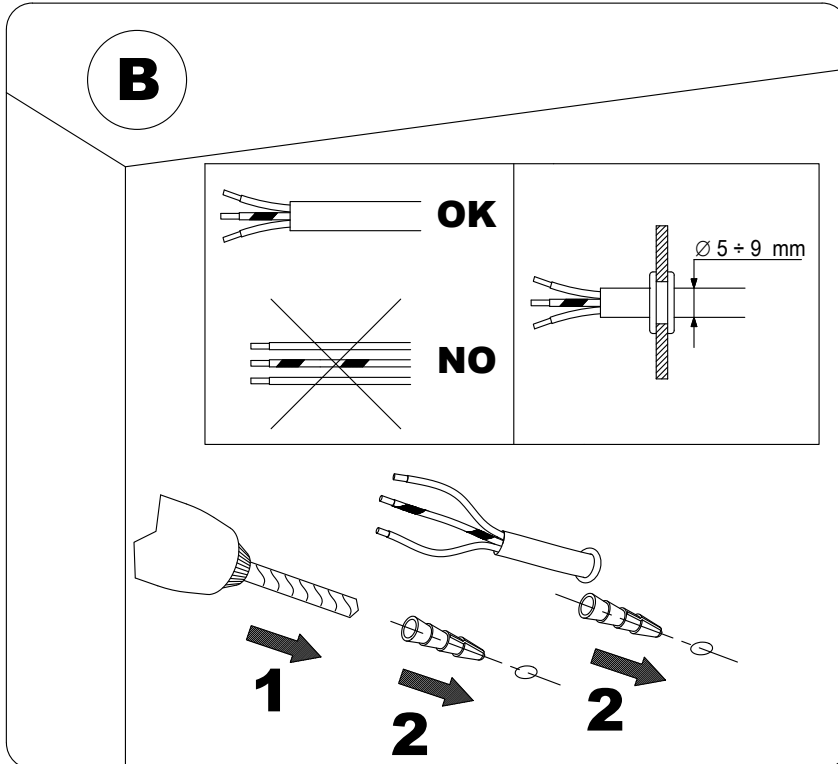
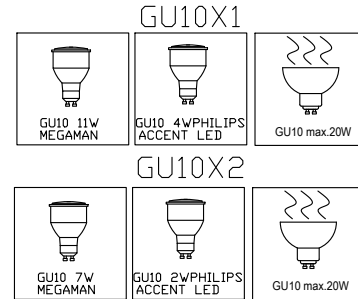
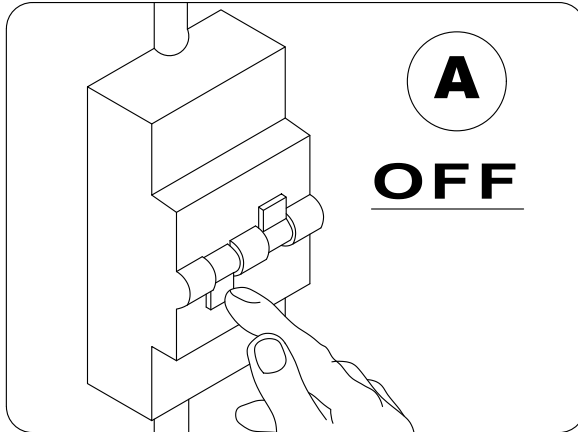


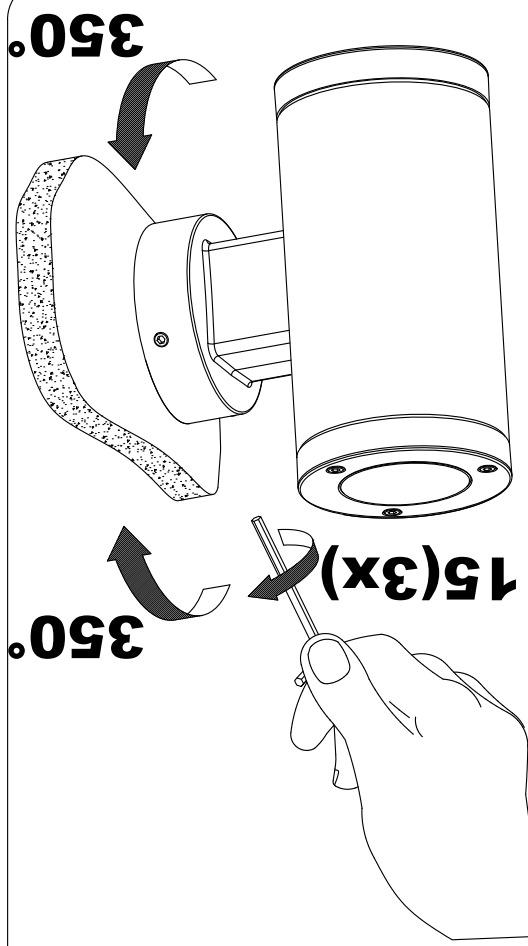
www.lcd-gmbh.de

IM 1060 - 1065



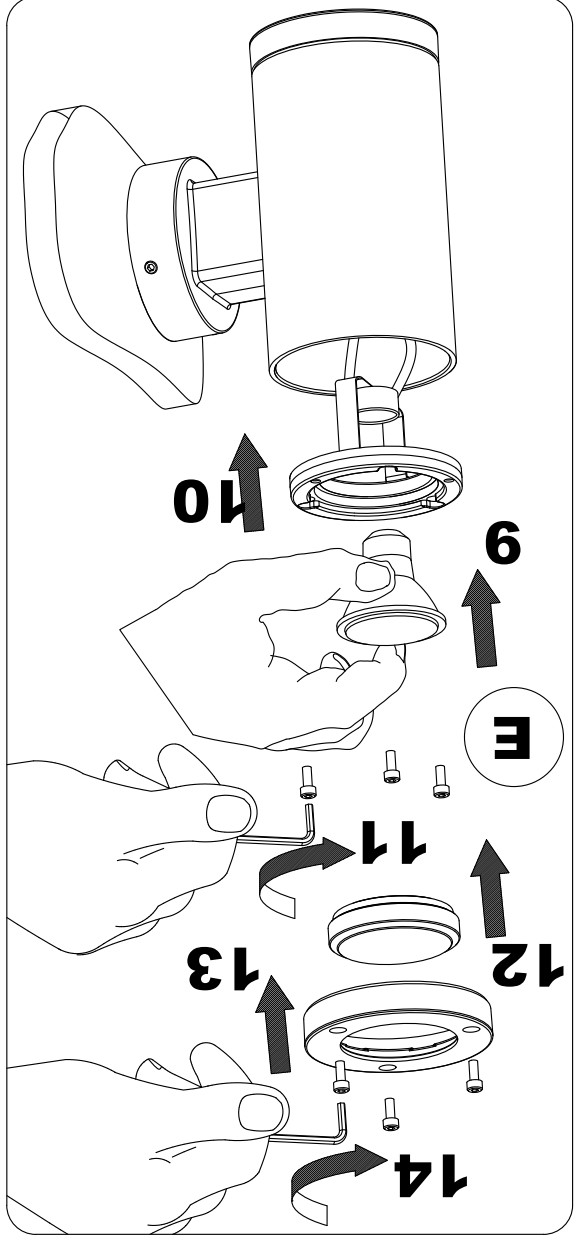
CE		250 VOLT	IP66		
GU10 11W MEGAMAN	GU10 4WPHILIPS ACCENT LED	GU10 7W MEGAMAN	GU10 2WPHILIPS ACCENT LED	GU10 MAX 20W	



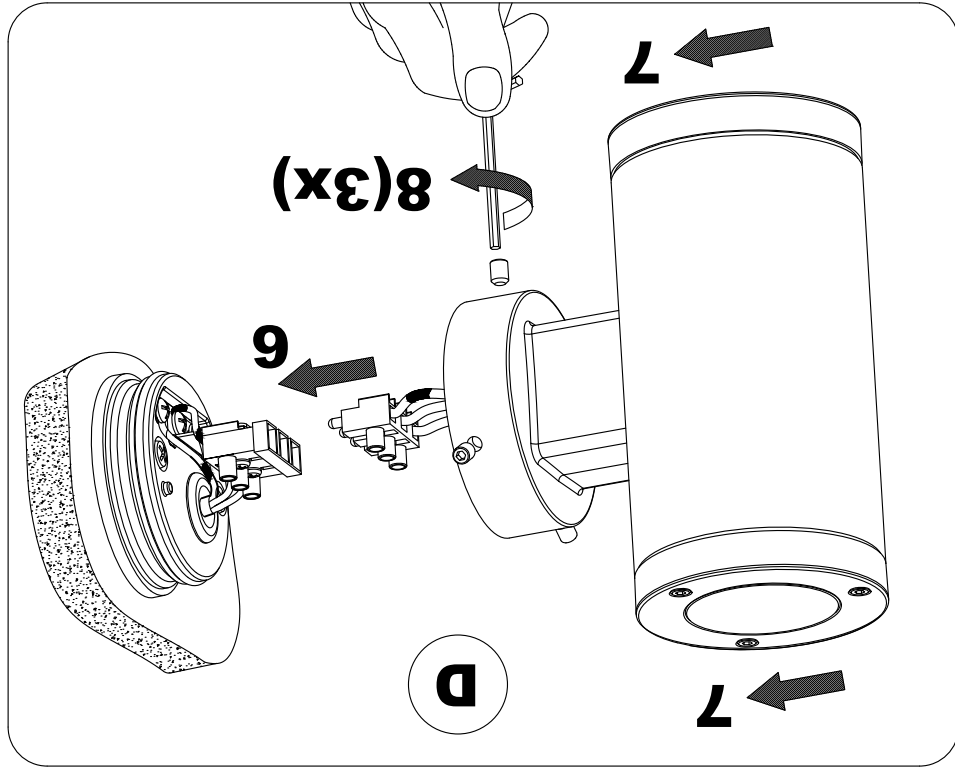


REGULATION OF
THE ORIENTATION

F



E



D

MEGAMAN	GU10 4xPHILIPS	GU10 2xPHILIPS	GU10 2xPHILIPS	GU10 2xPHILIPS	GU10 2xPHILIPS
ACCENT LED	ACCENT LED	ACCENT LED	ACCENT LED	ACCENT LED	ACCENT LED
250 VOLT	250 VOLT	250 VOLT	250 VOLT	250 VOLT	250 VOLT
IP66	IP66	IP66	IP66	IP66	IP66



IM 1060 - 1065



www.lcd-gmbh.de